

TQ Tissue level
Qualified

www.dentisimplant.co.kr

DENTIS

고/객/센/터 1899-2804

서울·인천·경기북부 02-3477-2898 경기남부 031-202-8751
대전·충청 042-635-2805 광주·전남 062-266-2804 전북 063-272-2804
대구·경북 053-589-3514 부산·울산·경남 051-503-2804 제주 064-743-2806

본 지에 게재된 모든 정보는 사전 고지 없이 변경될 수 있습니다.
Copyright © DENTIS Co., Ltd.

D-C-TQ-V1-202211-KOR

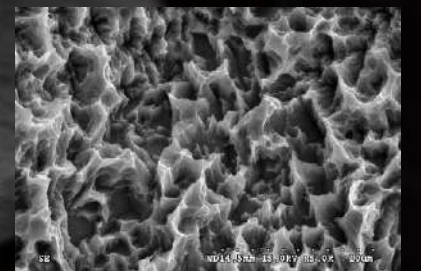
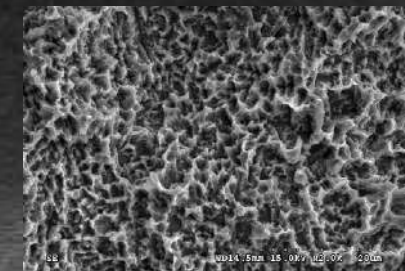
Stress-free implant placement with Qualified result.

Contents

Contents	2
TQ Characteristics	4
TQ Regular	6
TQ Wide (ø5.0, ø5.5)	7
TQ Wide (ø6.0, ø7.0)	8
TQ Package	9
TQ-SL Fixture Specifications	10
TQ-SL Fixture Line-Up	11
Closing / Cover Screw	16
Healing Abutment	17
Solid Abutment	18
InOcta Abutment	22
Angled Abutment	26
CCM UCLA Abutment	27
Temporary Abutment	28
Octa Abutment	30
O-ring Abutment	34
DOA Magnetic	36
Scan body	37
Pre-Milled Abutment	38
TQ Surgical Kit	40
TQ Drilling Sequence	41
TQ Surgical Instrument	44
TQ Surgical Manual	49
SAVE Sinus KIT	50
SAVE GBR KIT	55
SAVE FIX	58
SAVE RIDGE KIT	59
SAVE SEPTUM DRILL KIT	62
OVIS Bone & Membrane	64
DENOPS	74
Louis Button	75

x 2,000

x 5,000



S.L.A. Surface

골유착 성능이 우수한 SLA 표면을 구현하였습니다.

덴티스만의 철저한 품질관리

30단계 자동세척시스템을 이용한 CLEAN IMPLANT



Vacuum cleaning machine

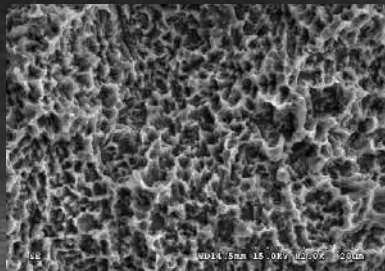
TQ Tissue level
Qualified



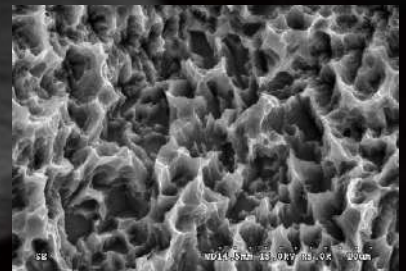
S.L.A. Surface

골유착 성능이 우수한 SLA 표면을 구현하였습니다.

x2,000



x5,000



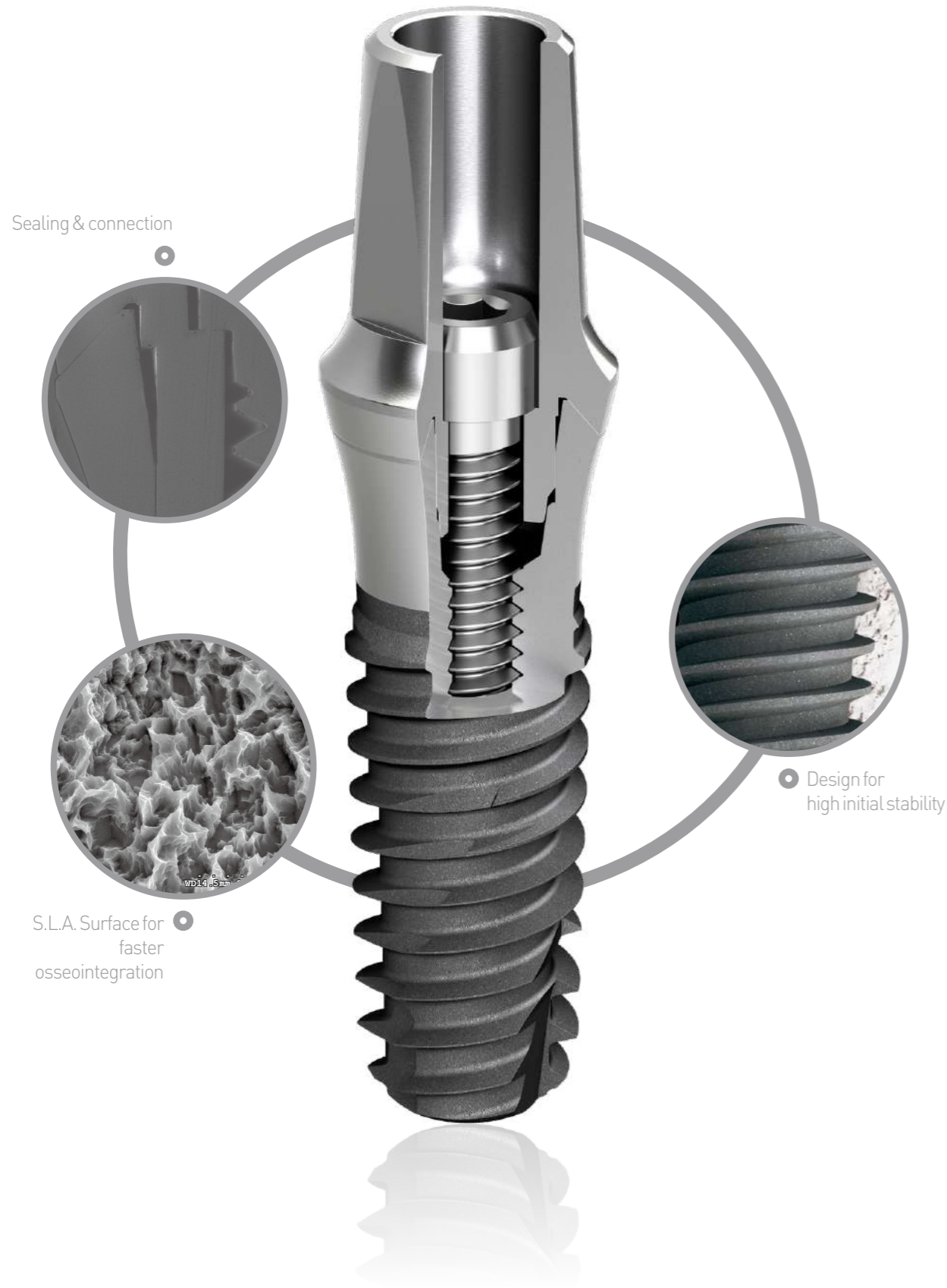
덴티스만의 철저한 품질관리

30단계 자동세척시스템을 이용한 CLEAN IMPLANT



Vacuum cleaning machine

i-clean TQ-SL Implant

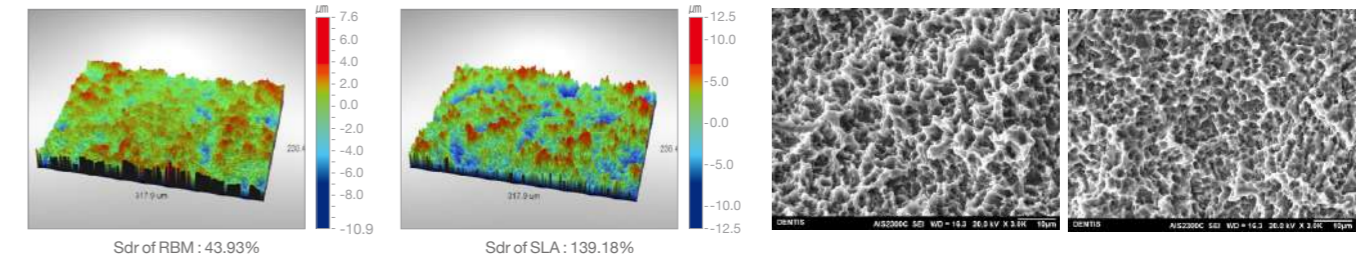


Design for high initial stability

- Full Tapered design 구현으로 부드럽고 보다 빠른 식립이 가능합니다.
- Apex의 cutting edge 는 self-tapping 을 강화하고, 적은 골삭제로 빠른 골유착을 가능하게 합니다

S.L.A Surface

- SLA 표면은 RBM 대비 200% 이상 거친 표면거칠기를 구현하여, 보다 효과적이고 빠른 골융합을 유도하도록 개발



Strict Cleaning

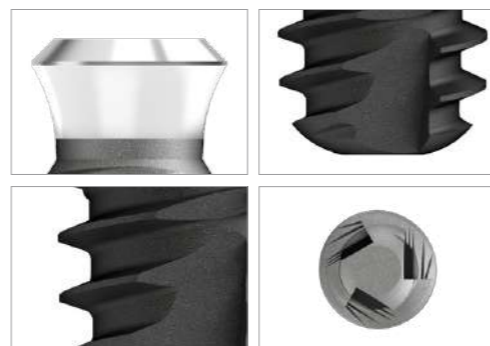
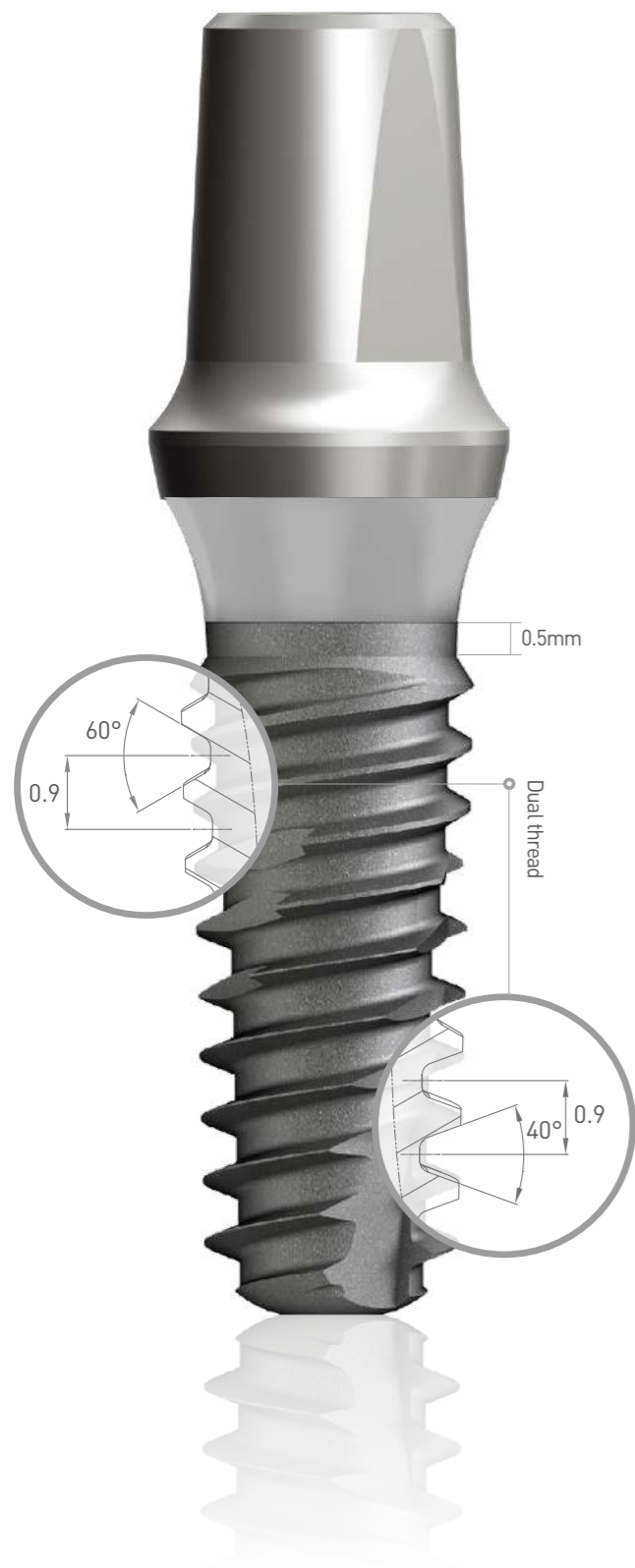
- Vacuum Cleaning Machine 을 포함한 30단계 이상의 Automatic Cleaning System
- 엄격한 품질관리를 통한 잔류산에 안전한 SLA 표면



Abundant variation covers all indication

Class	Regular	Wide	
Platform Diameter	ø 4.8	ø 6.5	
Cuff	1.8 / 2.8mm		
Body Diameter	ø 3.5 / 4.0 / 4.5 / 5.0 / 5.5	ø 5.0 / 5.5	ø 6.0 / 7.0
Length	7.5 / 8 / 10 / 12 / 14mm	7.5 / 8 / 10 / 12 / 14mm	6.5 / 7 / 8 / 10 / 12mm
Connection	Octa		
Thread	Double Thread		Single Thread

i-clean TQ Regular (ø3.5, ø4.0, ø4.5, ø5.0, ø5.5)



High Initial Stability

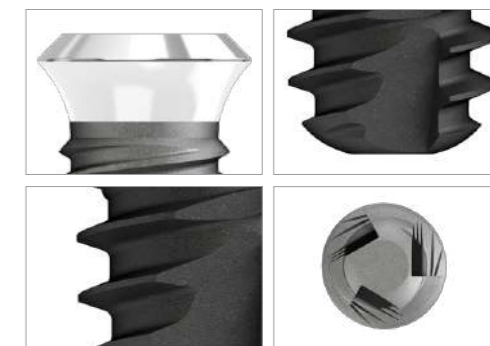
- Tapered design
- Dual & Double Thread

Smoother Insertion

- 3 Blade & Helical wide cutting edge



i-clean TQ WIDE (ø5.0, ø5.5)



High Initial Stability

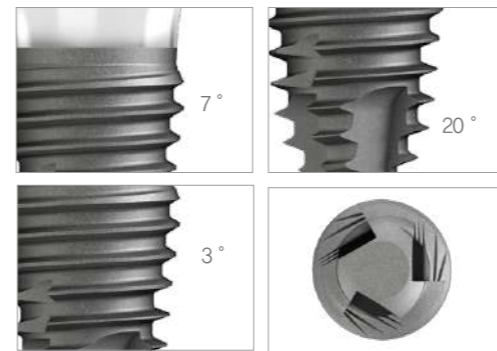
- Tapered design
- Dual & Double Thread

Smoother Insertion

- 3 Blade & Helical wide cutting edge



i-clean TQ WIDE (Ø6.0, Ø7.0)



High Initial Stability

- Tapered design (7° / 3° / 20°)
- Dual Thread

Single Thread

- 안정적인 깊이 조절

4 Blade Chip Pocket

- Self-Tapping 능력 극대화



TQ Package

Ampoule



Fixture pick-up



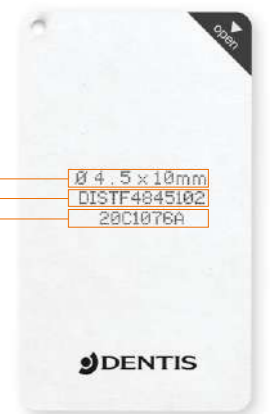
- Ø3.5
- Ø4.0
- Ø4.5
- Ø5.0
- Ø5.5
- Ø6.0
- Ø7.0

Fixture Package

- Ø3.5
- Ø4.0
- Ø4.5
- Ø5.0
- Ø5.5
- Ø6.0
- Ø7.0























- 모델 (Model)
- 규격 (Size)
- 제조번호 (Lot no.)



TQ-SL Fixture Specifications

Regular

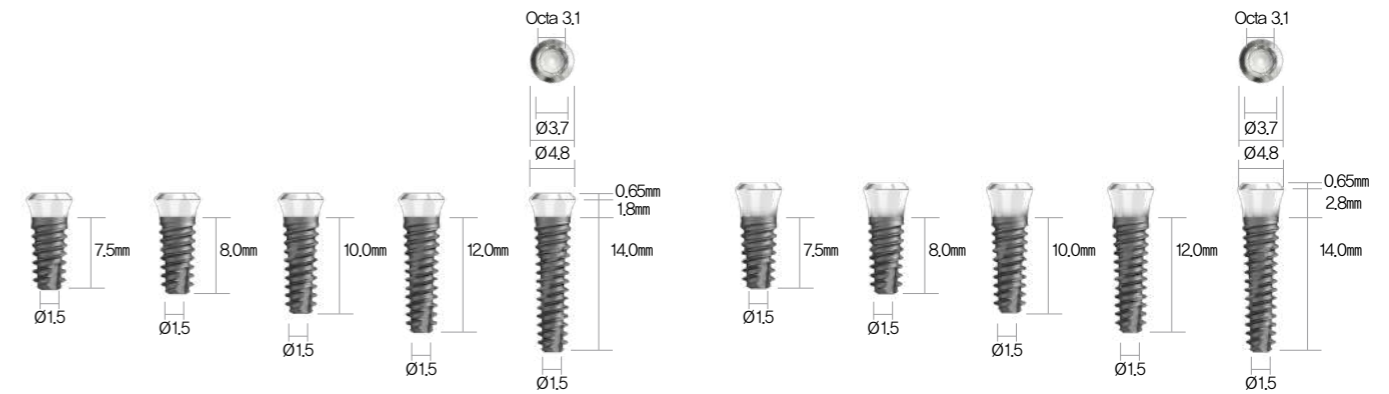
A	Diameter	4.8									
B	Actual Diameter	3.5	4	4.5	5	5.5	3.5	4	4.5	5	5.5
		3.7	4.1	4.4	4.8	5.2	3.7	4.1	4.4	4.8	5.2
C	Cuff	1.8					2.8				
D	Length	7 / 8 / 10 / 12 / 14									
E	Octa	3.1 Octa									
F	Fixture										
G	Color										

Wide

A	Diameter	6.5							
B	Actual Diameter	5	5.5	6	7	5	5.5	6	7
		4.8	5.2	5.8	6.8	4.8	5.2	5.8	6.8
C	Cuff	1.8				2.8			
D	Length	7 / 8 / 10 / 12 / 14		6 / 7 / 8 / 10 / 12		7 / 8 / 10 / 12 / 14		6 / 7 / 8 / 10 / 12	
E	Octa	3.1 Octa							
F	Fixture								
G	Color								

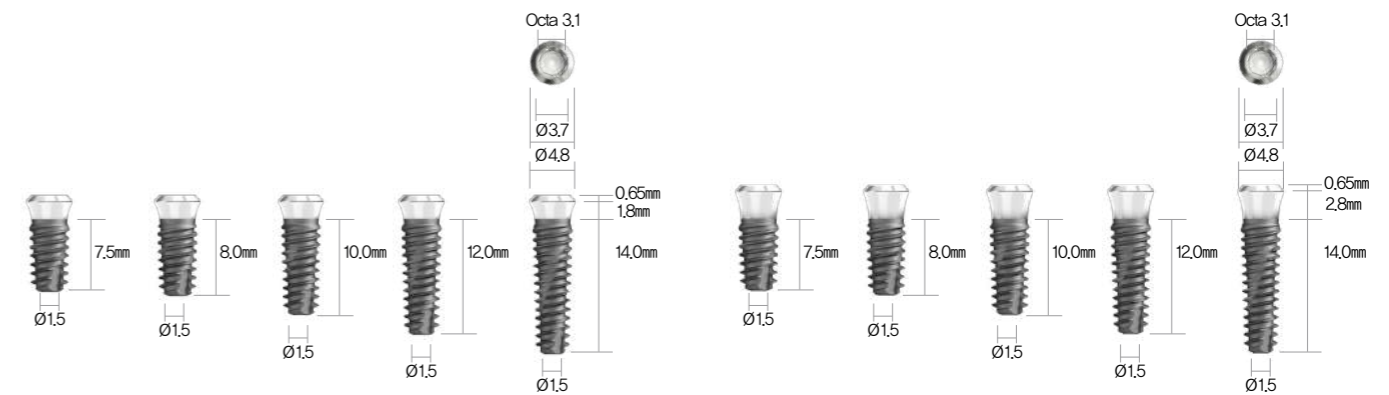
i-Clean OneQ-SL Fixture Line-Up

Platform Diameter Ø4.8 (Regular) 보험청구코드 : L7502011



P/D	F/D	Cuff	Length	Code No.
Ø4.8	Ø3.5 Ø3.7 (Actual Diameter)	1.8mm	7.5mm	DISTF4835072
			8.0mm	DISTF4835082
			10.0mm	DISTF4835102
			12.0mm	DISTF4835122
			14.0mm	DISTF4835142

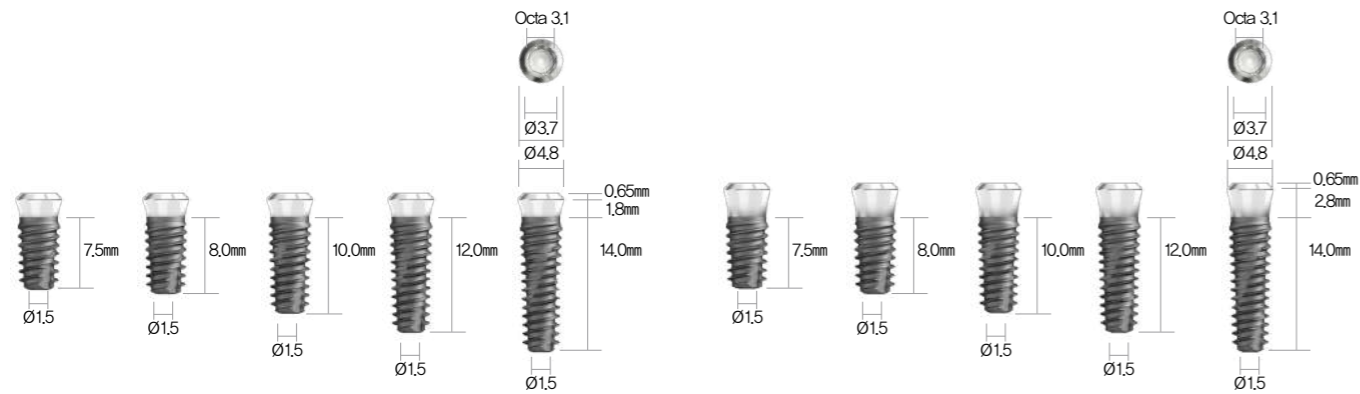
P/D	F/D	Cuff	Length	Code No.
Ø4.8	Ø3.5 Ø3.7 (Actual Diameter)	2.8mm	7.5mm	DISTF4835073
			8.0mm	DISTF4835083
			10.0mm	DISTF4835103
			12.0mm	DISTF4835123
			14.0mm	DISTF4835143



P/D	F/D	Cuff	Length	Code No.
Ø4.8	Ø4.0 Ø4.1 (Actual Diameter)	1.8mm	7.5mm	DISTF4840072
			8.0mm	DISTF4840082
			10.0mm	DISTF4840102
			12.0mm	DISTF4840122
			14.0mm	DISTF4840142

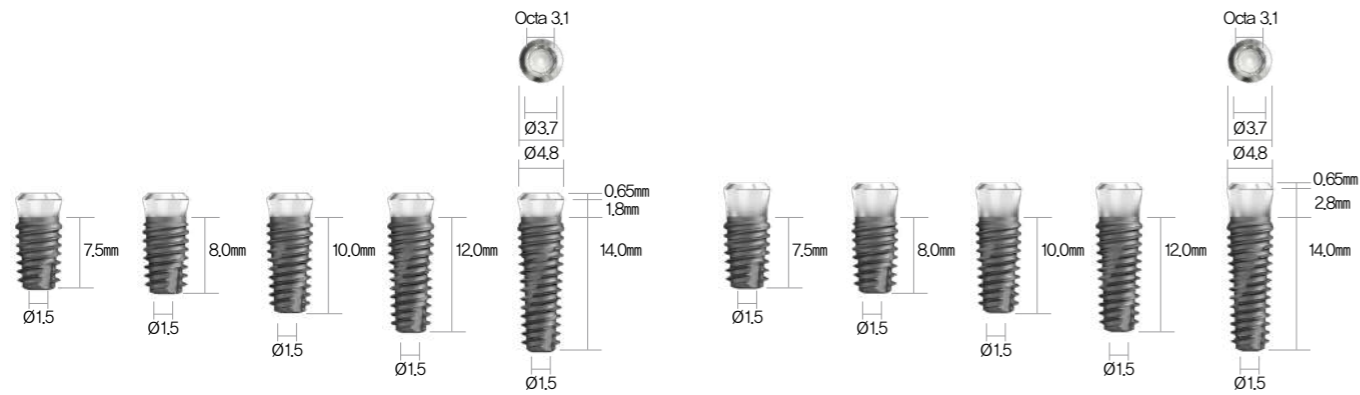
P/D	F/D	Cuff	Length	Code No.
Ø4.8	Ø4.0 Ø4.1 (Actual Diameter)	2.8mm	7.5mm	DISTF4840073
			8.0mm	DISTF4840083
			10.0mm	DISTF4840103
			12.0mm	DISTF4840123
			14.0mm	DISTF4840143

Platform Diameter Ø4.8 (Regular) 보험청구코드 : L7502011



P/D	F/D	Cuff	Length	Code No.
Ø4.8	Ø4.5 Ø4.35 (Actual Diameter)	1.8mm	7.5mm	DISTF4845072
			8.0mm	DISTF4845082
			10.0mm	DISTF4845102
			12.0mm	DISTF4845122
			14.0mm	DISTF4845142

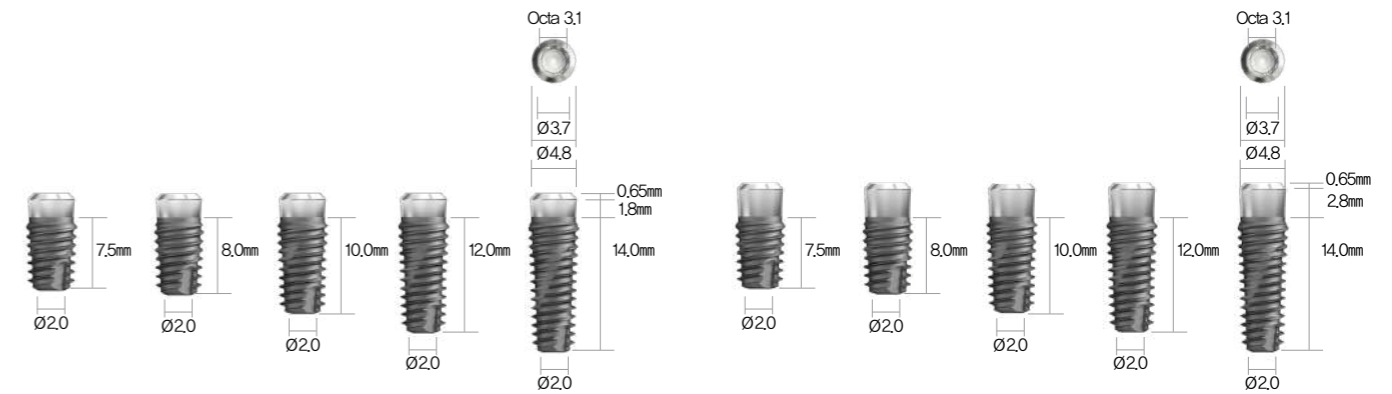
P/D	F/D	Cuff	Length	Code No.
Ø4.8	Ø4.5 Ø4.35 (Actual Diameter)	2.8mm	7.5mm	DISTF4845073
			8.0mm	DISTF4845083
			10.0mm	DISTF4845103
			12.0mm	DISTF4845123
			14.0mm	DISTF4845143



P/D	F/D	Cuff	Length	Code No.
Ø4.8	Ø5.0 Ø4.8 (Actual Diameter)	1.8mm	7.5mm	DISTF4850072
			8.0mm	DISTF4850082
			10.0mm	DISTF4850102
			12.0mm	DISTF4850122
			14.0mm	DISTF4850142

P/D	F/D	Cuff	Length	Code No.
Ø4.8	Ø5.0 Ø4.8 (Actual Diameter)	2.8mm	7.5mm	DISTF4850073
			8.0mm	DISTF4850083
			10.0mm	DISTF4850103
			12.0mm	DISTF4850123
			14.0mm	DISTF4850143

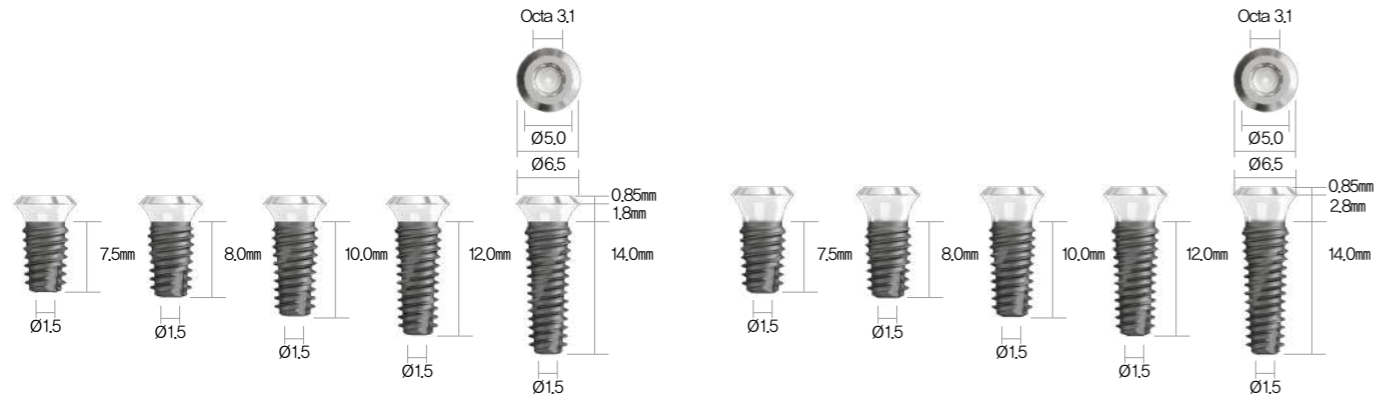
Platform Diameter Ø4.8 (Regular) 보험청구코드 : L7502011



P/D	F/D	Cuff	Length	Code No.
Ø4.8	Ø5.5 Ø5.2 (Actual Diameter)	1.8mm	7.5mm	DISTF4855072
			8.0mm	DISTF4855082
			10.0mm	DISTF4855102
			12.0mm	DISTF4855122
			14.0mm	DISTF4855142

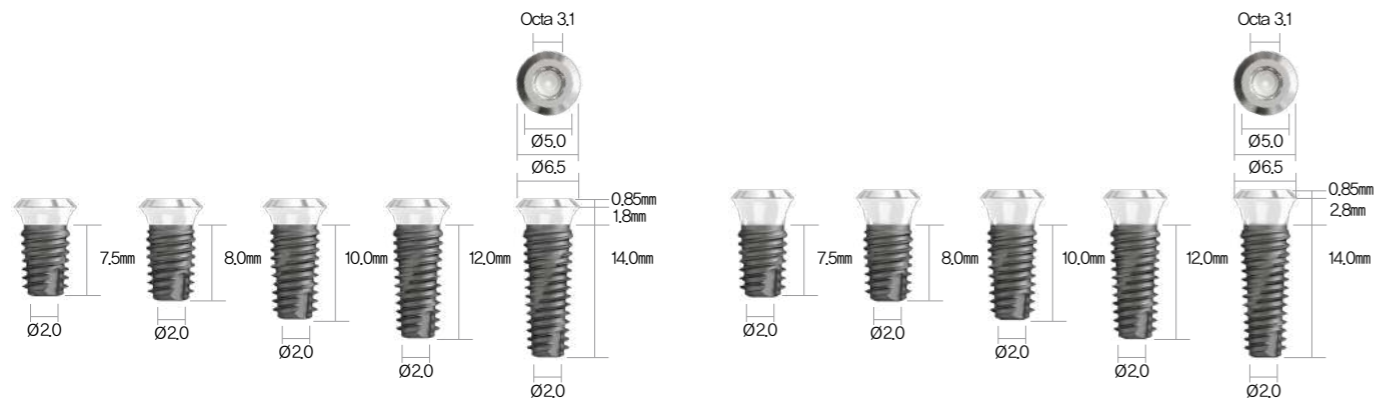
P/D	F/D	Cuff	Length	Code No.
Ø4.8	Ø5.5 Ø5.2 (Actual Diameter)	2.8mm	7.5mm	DISTF4855073
			8.0mm	DISTF4855083
			10.0mm	DISTF4855103
			12.0mm	DISTF4855123
			14.0mm	DISTF4855143

Platform Diameter Ø6.5 (Wide) 보험청구코드 : L7502011



P/D	F/D	Cuff	Length	Code No.
Ø6.5	Ø5.0 Ø4.8 (Actual Diameter)	1.8mm	7.5mm	DISTF6550072
			8.0mm	DISTF6550082
			10.0mm	DISTF6550102
			12.0mm	DISTF6550122
			14.0mm	DISTF6550142

P/D	F/D	Cuff	Length	Code No.
Ø6.5	Ø5.0 Ø4.8 (Actual Diameter)	2.8mm	7.5mm	DISTF6550073
			8.0mm	DISTF6550083
			10.0mm	DISTF6550103
			12.0mm	DISTF6550123
			14.0mm	DISTF6550143



P/D	F/D	Cuff	Length	Code No.
Ø6.5	Ø5.5 Ø5.2 (Actual Diameter)	1.8mm	7.5mm	DISTF6555072
			8.0mm	DISTF6555082
			10.0mm	DISTF6555102
			12.0mm	DISTF6555122
			14.0mm	DISTF6555142

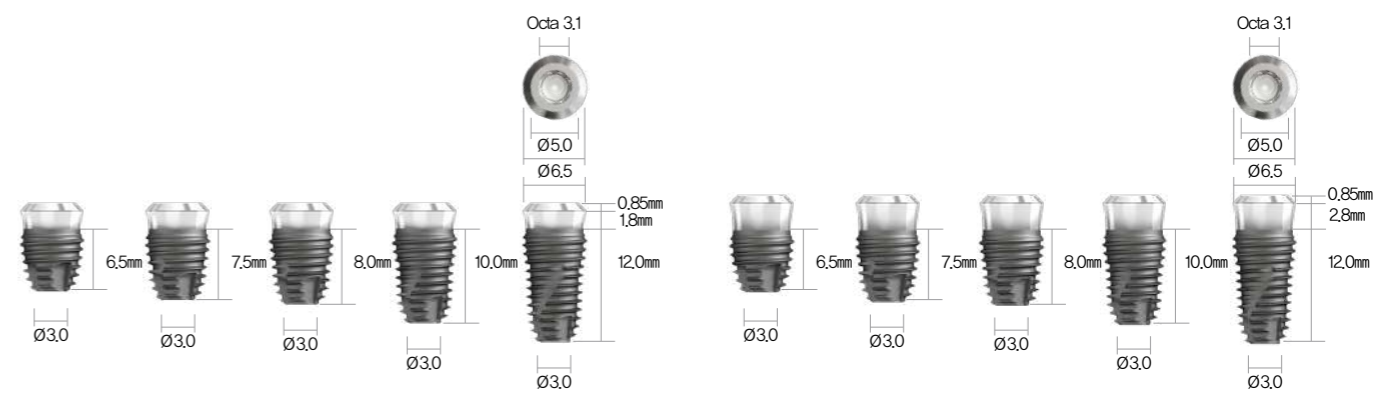
P/D	F/D	Cuff	Length	Code No.
Ø6.5	Ø5.5 Ø5.2 (Actual Diameter)	2.8mm	7.5mm	DISTF6555073
			8.0mm	DISTF6555083
			10.0mm	DISTF6555103
			12.0mm	DISTF6555123
			14.0mm	DISTF6555143

Platform Diameter Ø6.5 (Wide) 보험청구코드 : L7502011 *LENGTH 6.5mm : L7502012



P/D	F/D	Cuff	Length	Code No.
Ø6.5	Ø6.0 Ø5.8 (Actual Diameter)	1.8mm	6.5mm	*DISTF6560062
			7.5mm	DISTF6560072
			8.0mm	DISTF6560082
			10.0mm	DISTF6560102
			12.0mm	DISTF6560122

P/D	F/D	Cuff	Length	Code No.
Ø6.5	Ø6.0 Ø5.8 (Actual Diameter)	2.8mm	6.5mm	*DISTF6560063
			7.5mm	DISTF6560073
			8.0mm	DISTF6560083
			10.0mm	DISTF6560103
			12.0mm	DISTF6560123



P/D	F/D	Cuff	Length	Code No.
Ø6.5	Ø7.0 Ø6.8 (Actual Diameter)	1.8mm	6.5mm	*DISTF6570062
			7.5mm	DISTF6570072
			8.0mm	DISTF6570082
			10.0mm	DISTF6570102
			12.0mm	DISTF6570122

P/D	F/D	Cuff	Length	Code No.
Ø6.5	Ø7.0 Ø6.8 (Actual Diameter)	2.8mm	6.5mm	*DISTF6570063
			7.5mm	DISTF6570073
			8.0mm	DISTF6570083
			10.0mm	DISTF6570103
			12.0mm	DISTF6570123

Closing / Cover Screw & Healing Abutment

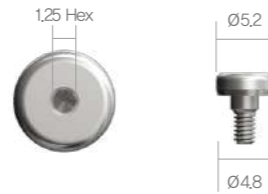
관찰 조임 torque - 5~8Ncm

Cover Screw



DICS1 + DISTF4840102

A/D	C/H	Code No.
Ø5.2 (Regular)	2mm	DICS1



Closing Screw

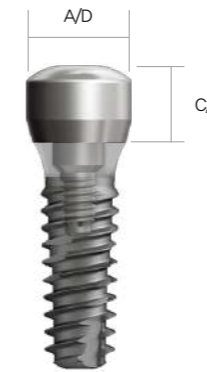


DICS3 + DISTF4840102

A/D	C/H	Code No.
Ø3.5 (Regular)	0mm	DICS3
Ø4.3 (Wide)	0mm	DICSW



Healing Abutment



DIH30 + DISTF4840102

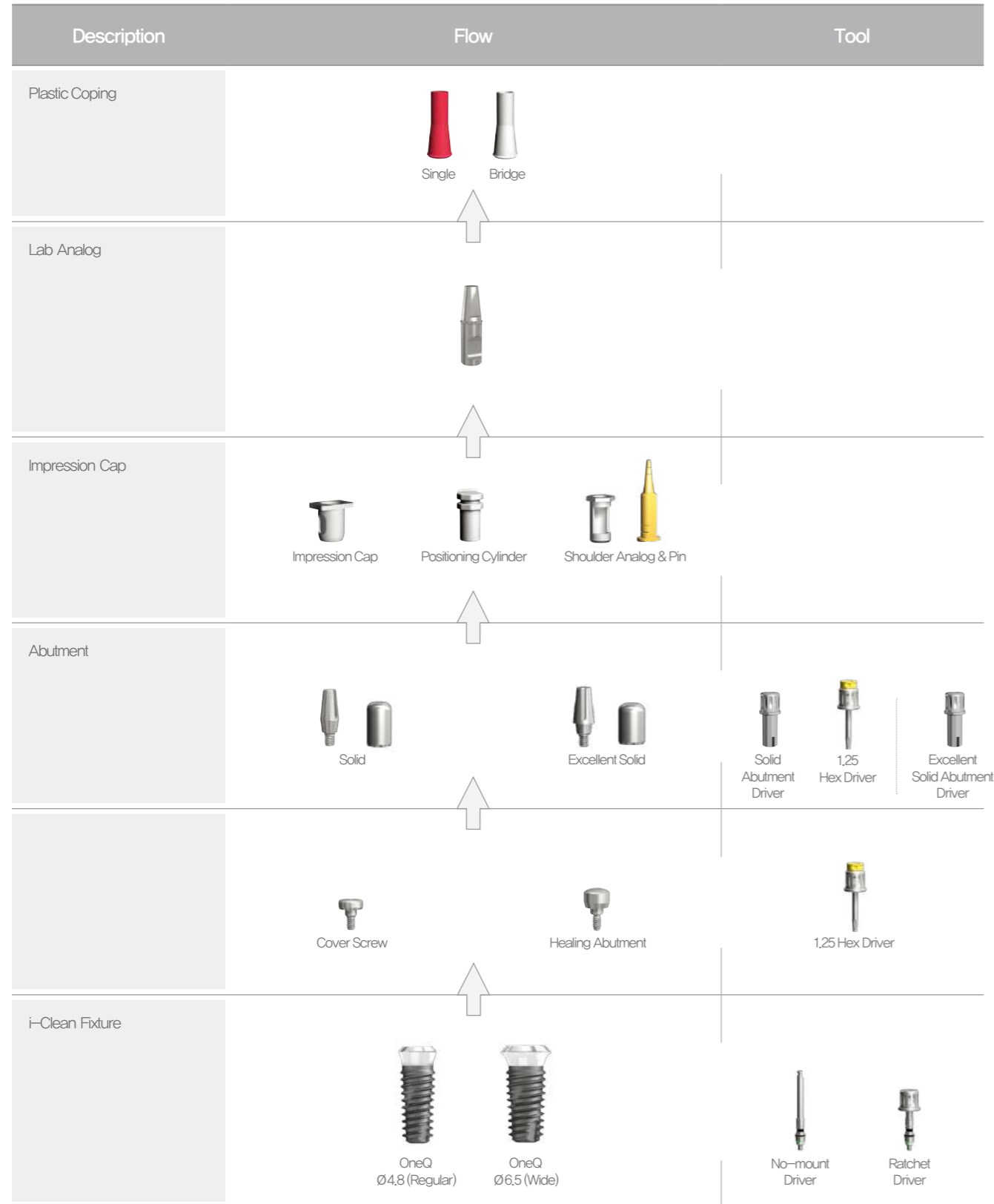
A/D	C/H	Code No.
Ø5.5 (Regular)	3mm	DIH30
	4mm	DIH40
	5.5mm	DIH55



A/D	C/H	Code No.
Ø6.9 (Wide)	3mm	DIWH30
	4mm	DIWH40
	5.5mm	DIWH55



Prosthetic Flow Diagrams for i-Clean Solid Abutment system



Solid Abutment 보형청구코드 : L7550021 Regular : Solid Abutment Driver Wide : 1.25 Hex Driver

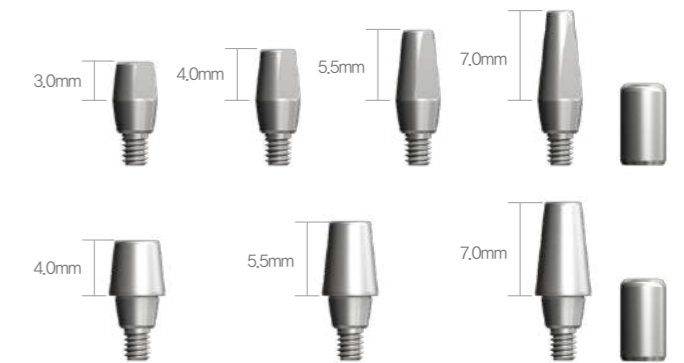
권장 조임 torque - 30Ncm



DISA30S + DISTF4840102

A/D	P/H	Code No.
Ø3.5 (Regular)	3mm	DISA30S
	4mm	DISA40S
	5.5mm	DISA55S
	7mm	DISA70S
Ø4.3 (Wide)	4mm	DISAW40S
	5.5mm	DISAW55S
	7mm	DISAW70S

※ Set Code(S) : Abutment + Healing Cap



Solid Healing Cap

A/D	P/H	Code No.
Ø3.5 (Regular)	4mm	DISHC40
	5.5mm	DISHC55
	7mm	DISHC70
Ø4.3 (Wide)	4mm	DISWHC40
	5.5mm	DISWHC55
	7mm	DISWHC70



Excellent Solid Abutment Excellent Solid Abutment driver로 체결

A/D	P/H	Code No.
Ø4.3 (Regular)	3mm	DIESA30S
	4mm	DIESA40S
	5.5mm	DIESA55S
	7mm	DIESA70S

※ Set Code(S) : Abutment + Healing Cap



Excellent Solid Healing Cap

A/D	P/H	Code No.
Ø4.3 (Regular)	3mm	DIESHC30
	4mm	DIESHC40
	5.5mm	DIESHC55
	7mm	DIESHC70



Solid Abutment Impression Cap

A/D	Code No.
Ø3,5 (Regular)	DISICR
Ø4,3 (Wide)	DISICW65



Solid Abutment Positioning Cylinder

A/D	Code No.
Ø3,5 (Regular)	DISIPCR
Ø4,3 (Wide)	DISIPCW65



Solid Abutment Lab Analog

A/D	P/H	Code No.
Ø4,8 (Regular)	3mm	DISLA30
	4mm	DISLA40
	5,5mm	DISLA55
	7mm	DISLA70
Ø6,5 (Wide)	4mm	DISLAW40
	5,5mm	DISLAW55
	7mm	DISLAW70



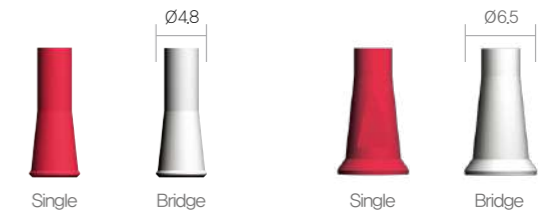
Excellent Solid Abutment Lab Analog

A/D	P/H	Code No.
Ø4,8 (Regular)	3mm	DIESLA30
	4mm	DIESLA40
	5,5mm	DIESLA55
	7mm	DIESLA70



Solid Abutment Plastic Coping

A/D	Type	Code No.
Ø4,8 (Regular)	Single	DISPS
	Bridge	DISPB
Ø6,5 (Wide)	Single	DISWPS
	Bridge	DISWPB



Shoulder Analog & Pin

A/D	Code No.
Ø3,5 (Regular)	DIISARSS
Ø4,3 (Wide)	DIISAW65S



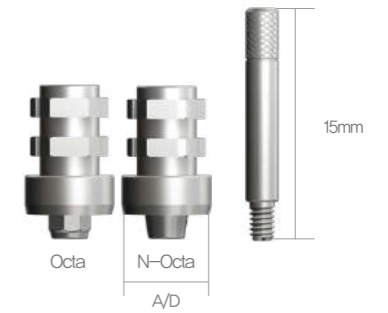
Prosthetic Flow Diagrams for i-Clean InOcta Abutment system



Pick-Up Impression Coping

A/D	Type	Code No.
Ø4.8 (Regular)	Octa N-Octa	DIPRS DIPINS
Ø6.5 (Wide)	Octa N-Octa	DIPWS DIPWNS

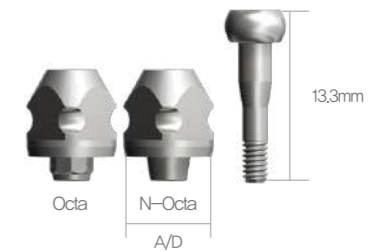
※ Set Code(S) : Impression Body + Guide Pin (DEGPR15)



Transfer Impression Coping

A/D	Type	Code No.
Ø4.8 (Regular)	Octa N-Octa	DITRS DITINS
Ø6.5 (Wide)	Octa N-Octa	DITWS DITWNS

※ Set Code(S) : Impression Body + Guide Pin (DITL)

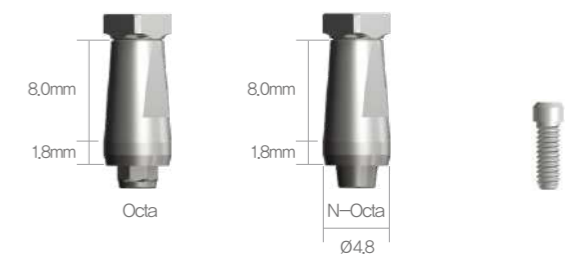


Lab Analog

A/D	Code No.
Ø4.8 (Regular)	DILA
Ø6.5 (Wide)	DILAW



Free Abutment 보험청구코드: L7552030

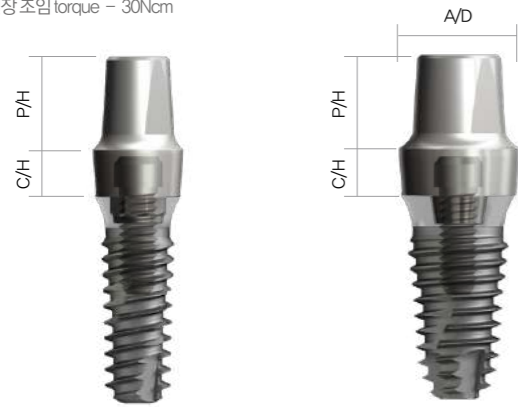


A/D	Type	Code No.
Ø4.8 (Regular)	Octa N-Octa	DIFAOS DIFANS

※ Set Code(S) : Abutment + Abutment Screw(DEASRH)

InOcta Abutment 보험청구코드: L7552030

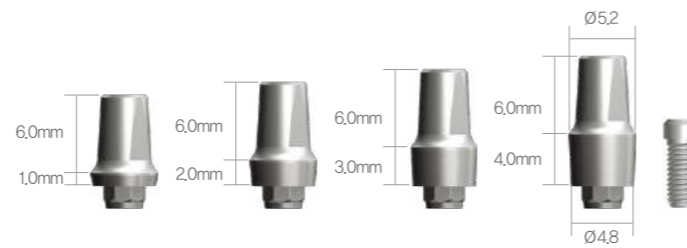
권장 조임 torque - 30Ncm



DICO30S + DISTF4840102 DICOW30NS + DISTF4840102

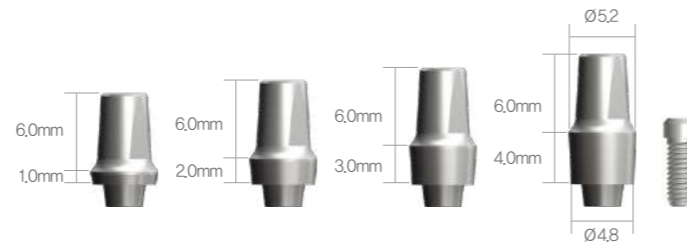
A/D	C/H	Type	Code No.
Ø5.2 (Regular)	1.0mm	Octa	DICO10S
	2.0mm		DICO20S
	3.0mm		DICO30S
	4.0mm		DICO40S

※ Set Code(S) : Abutment + Abutment Screw(DEASRH)



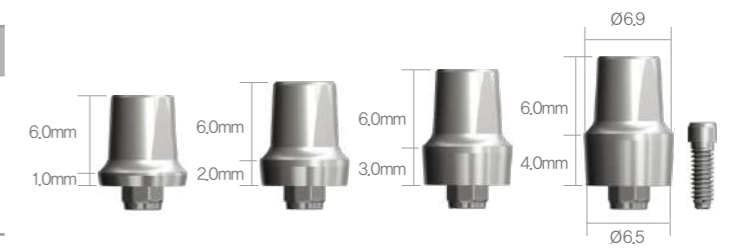
A/D	C/H	Type	Code No.
Ø5.2 (Regular)	1.0mm	N-Octa	DICO10NS
	2.0mm		DICO20NS
	3.0mm		DICO30NS
	4.0mm		DICO40NS

※ Set Code(S) : Abutment + Abutment Screw(DEASRH)



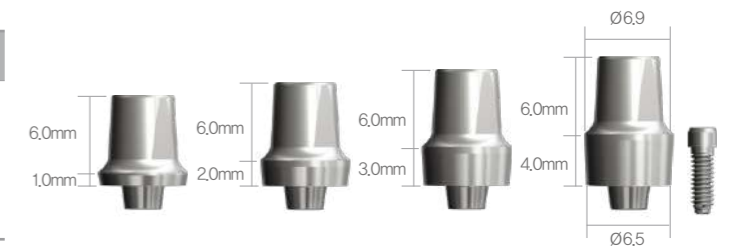
A/D	C/H	Type	Code No.
Ø6.9 (Wide)	1.0mm	Octa	DICOW10S
	2.0mm		DICOW20S
	3.0mm		DICOW30S
	4.0mm		DICOW40S

※ Set Code(S) : Abutment + Abutment Screw(DIAS)



A/D	C/H	Type	Code No.
Ø6.9 (Wide)	1.0mm	N-Octa	DICOW10NS
	2.0mm		DICOW20NS
	3.0mm		DICOW30NS
	4.0mm		DICOW40NS

※ Set Code(S) : Abutment + Abutment Screw(DIAS)



Angled Abutment 보험참구코드 : L7553015

권장 조임 torque - 30Ncm



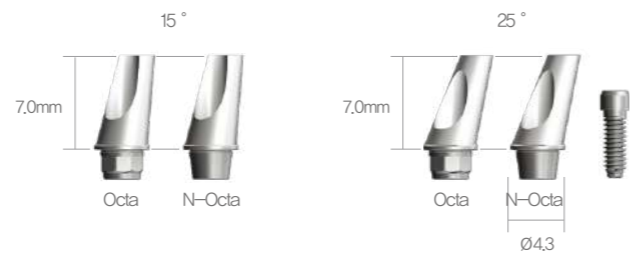
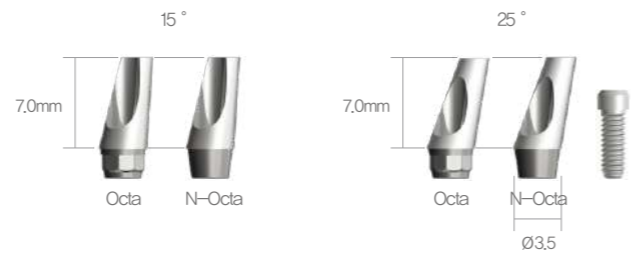
DIAA15S + DISTF4840102

A/D	Angle	Type	Code No.
Ø3.5 (Regular)	15°	Octa N-Octa	DIAA15S DIAA15NS
	25°	Octa N-Octa	DIAA25S DIAA25NS

※ Set Code(S) : Abutment + Abutment Screw(DEASRH)

A/D	Angle	Type	Code No.
Ø4.3 (Wide)	15°	Octa N-Octa	DIAAW15S DIAAW15NS
	25°	Octa N-Octa	DIAAW25S DIAAW25NS

※ Set Code(S) : Abutment + Abutment Screw(DIAS)



SynOcta Abutment 보험참구코드 : L7552030

권장 조임 torque - 30Ncm

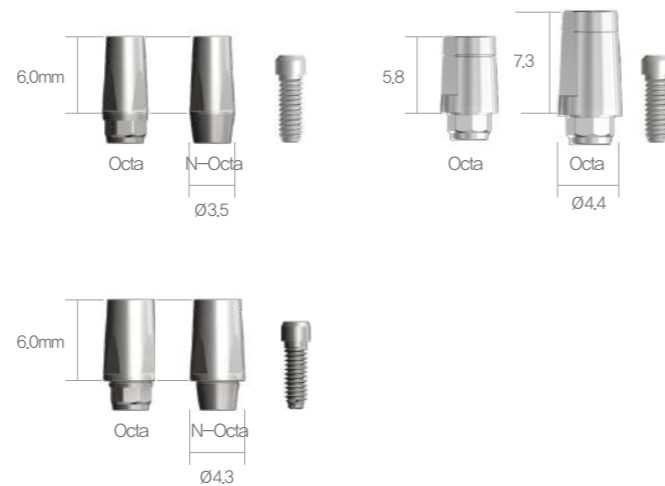


DISOAS + DISTF4840102

A/D	Type	Code No.
Ø3.5 (Regular)	Octa	DISOAS DISOWA485OS DISOWA487OS
	N-Octa	DISOANS
Ø4.3 (Wide)	Octa	DISOAWS
	N-Octa	DISOAWNS

※ Set Code(S) : Abutment + Abutment Screw(DEASRH) - Regular

※ Set Code(S) : Abutment + Abutment Screw(DIAS) - Wide



CCM UCLA Abutment

권장 조임 torque - 30Ncm



DICUA480 + DISTF4840102

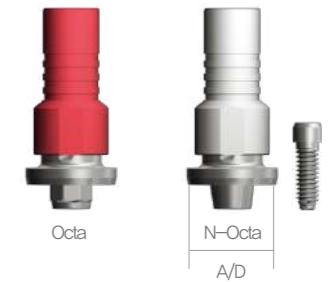
DICUA48N + DISTF4840102

A/D	Type	Code No.
Ø4.8	Octa N-Octa	DICUA480 DICUA48N

※ Set Code(S) : Abutment + Abutment Screw(DEASRH)

A/D	Type	Code No.
Ø6.5	Octa N-Octa	DICUA65OS DICUA65NS

※ Set Code(S) : Abutment + Abutment Screw(DIAS)



Abutment Screw

Type	Code No.
Regular	DEASRH
Wide	DIAS



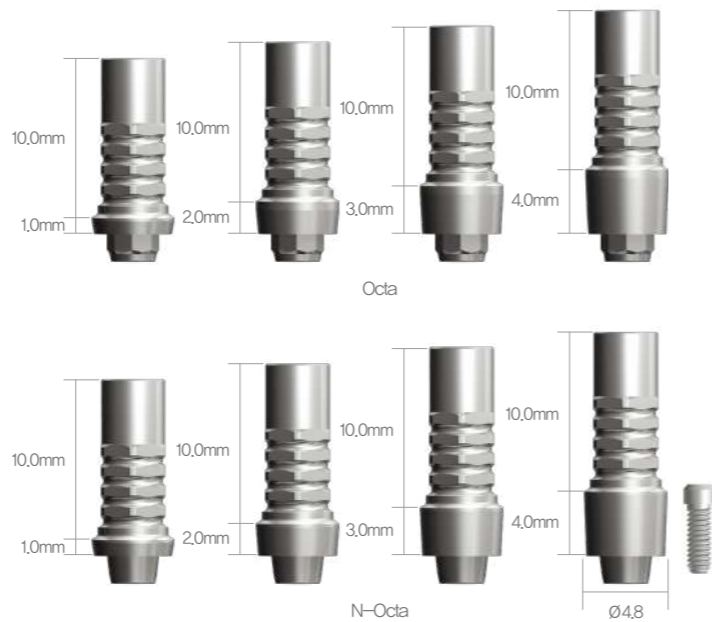


Temporary Abutment (Titanium)

관장 조임 torque - 30Ncm

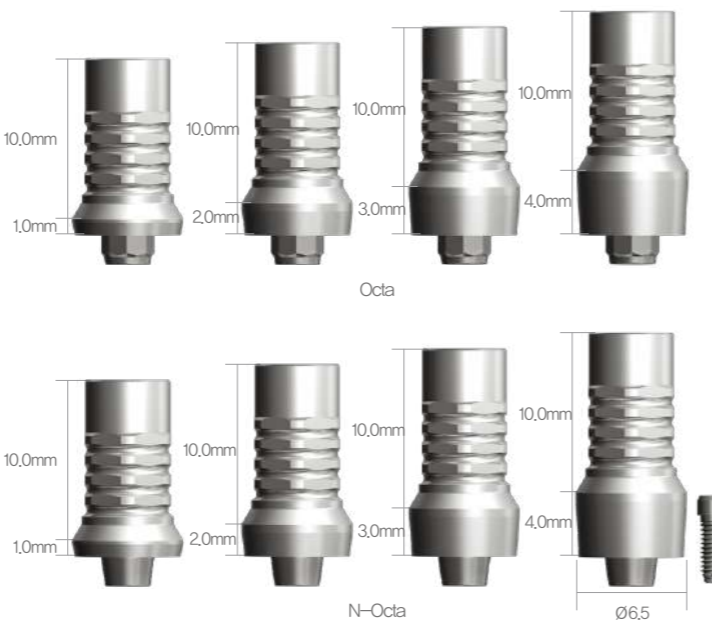
DITA40S + DISTF4840102

A/D	C/H	Material	Type	Code No.
Ø4.8 (Regular)	1mm 2mm 3mm 4mm	Titanium	Octa	DITA10OS
				DITA20OS
				DITA30OS
				DITA40OS
	1mm 2mm 3mm 4mm		N-Octa	DITA10NS
				DITA20NS
				DITA30NS
				DITA40NS



※ Set Code(S) : Abutment + Abutment Screw(DEASRH)

A/D	C/H	Material	Type	Code No.
Ø6.5 (Wide)	1mm 2mm 3mm 4mm	Titanium	Octa	DITAW10OS
				DITAW20OS
				DITAW30OS
				DITAW40OS
	1mm 2mm 3mm 4mm		N-Octa	DITAW10NS
				DITAW20NS
				DITAW30NS
				DITAW40NS



※ Set Code(S) : Abutment + Abutment Screw(DIAS)

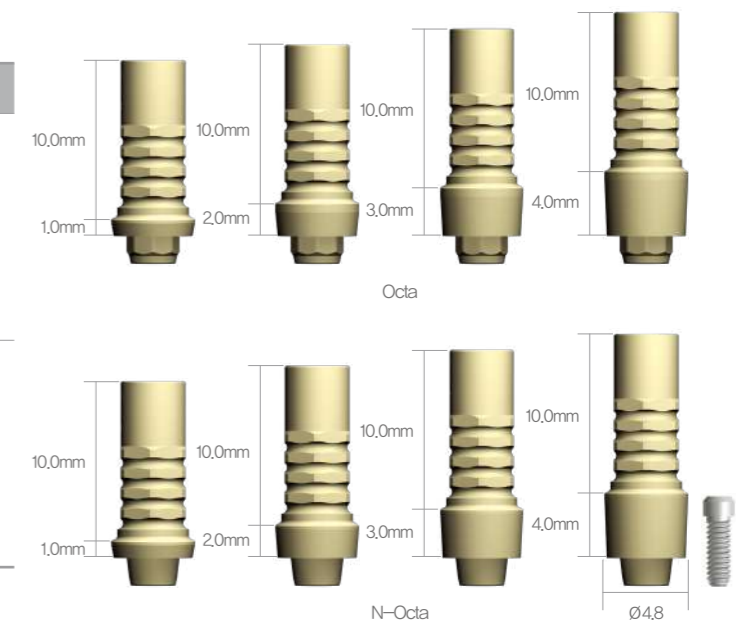


Temporary Abutment (PEEK)

관장 조임 torque - 30Ncm

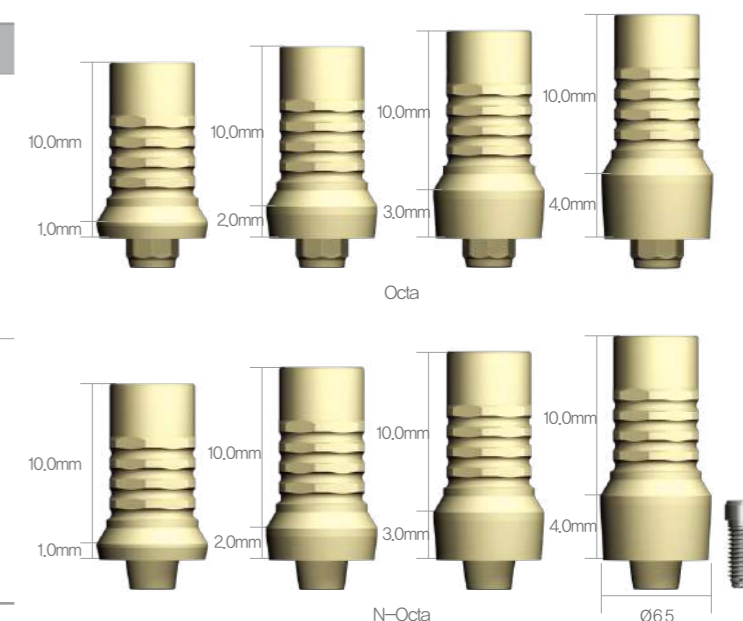
DIPT40S + DISTF4840102

A/D	C/H	Material	Type	Code No.
Ø4.8 (Regular)	1mm 2mm 3mm 4mm	PEEK	Octa	DIPT10OS
				DIPT20OS
				DIPT30OS
				DIPT40OS
	1mm 2mm 3mm 4mm		N-Octa	DIPT10NS
				DIPT20NS
				DIPT30NS
				DIPT40NS



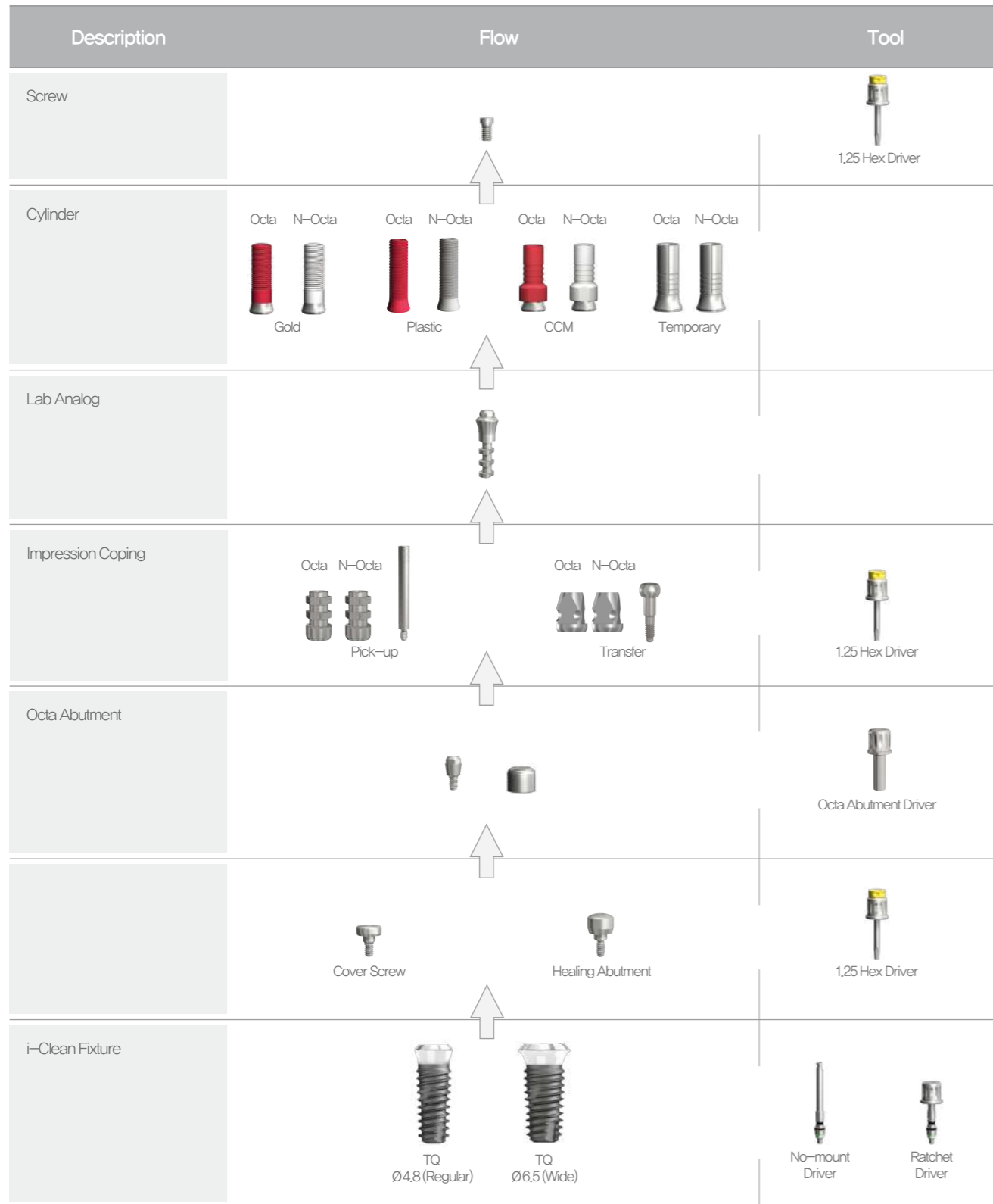
※ Set Code(S) : Abutment + Abutment Screw(DEASRH)

A/D	C/H	Material	Type	Code No.
Ø6.5 (Wide)	1mm 2mm 3mm 4mm	Titanium	Octa	DIPTW10OS
				DIPTW20OS
				DIPTW30OS
				DIPTW40OS
	1mm 2mm 3mm 4mm		N-Octa	DIPTW10NS
				DIPTW20NS
				DIPTW30NS
				DIPTW40NS



※ Set Code(S) : Abutment + Abutment Screw(DIAS)

Prosthetic Flow Diagrams for i-Clean Octa Abutment system



Octa Abutment

권장 조임 torque - 30Ncm



DIOA + DISOF4842102

A/D	Code No.
Ø3.5 (Regular)	DIOA
Ø4.3 (Wide)	DIOAW



Octa Healing Cap

권장 조임 torque - 5~8Ncm

A/D	Code No.
Ø4.8 (Regular)	DIOHCS
Ø6.5 (Wide)	DIOWHCS

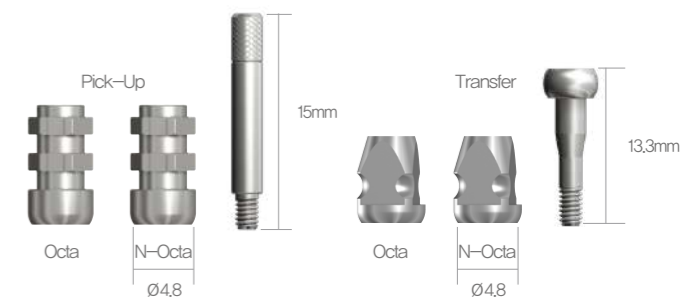


※ Set Code(S) : Healing Cap + Screw(DIOACS)

Impression Coping

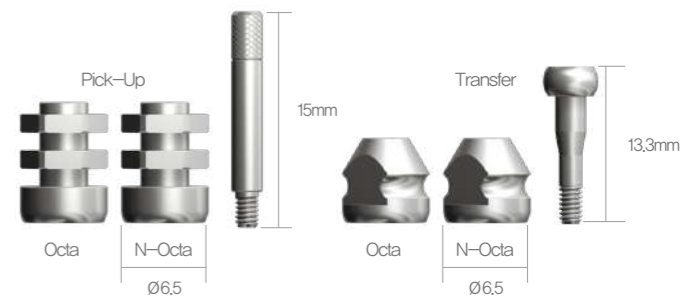
A/D	Type	Angle	Code No.
Ø4.8 (Regular)	Pick-Up	Octa	DIOIOS
		N-Octa	DIOINS
	Transfer	Octa	DIOTIOS
		N-Octa	DIOTIS

※ Set Code(S) : Impression Coping Body + Guide Pin (Pick-Up, DIOGP)
Guide Pin (Transfer, DITS)



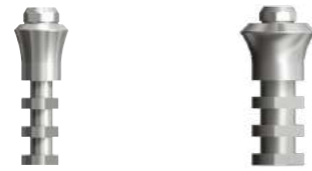
A/D	Type	Angle	Code No.
Ø6.5 (Wide)	Pick-Up	Octa	DIOWOS
		N-Octa	DIOWNS
	Transfer	Octa	DIOTWOS
		N-Octa	DIOTWNS

※ Set Code(S) : Impression Coping Body + Guide Pin (Pick-Up, DIOGP)
Guide Pin (Transfer, DITS)



Lab Analog

A/D	Code No.
Ø4.8 (Regular)	DIOLA
Ø6.5 (Wide)	DIOLAW



Plastic Cylinder

A/D	Type	Code No.
Ø4.8 (Regular)	Octa	DIOPOS
	N-Octa	DIOPNS
Ø6.5 (Wide)	Octa	DIOPWOS
	N-Octa	DIOPWNS

※ Set Code(S) : Healing Cap + Screw(DIOACS)



CCM Cylinder

A/D	Type	Code No.
Ø4.8 (Regular)	Octa	DIOCC48OS
	N-Octa	DIOCC48NS
Ø6.5 (Wide)	Octa	DIOCC65OS
	N-Octa	DIOCC65NS

※ Set Code(S) : Healing Cap + Screw(DOACS20)



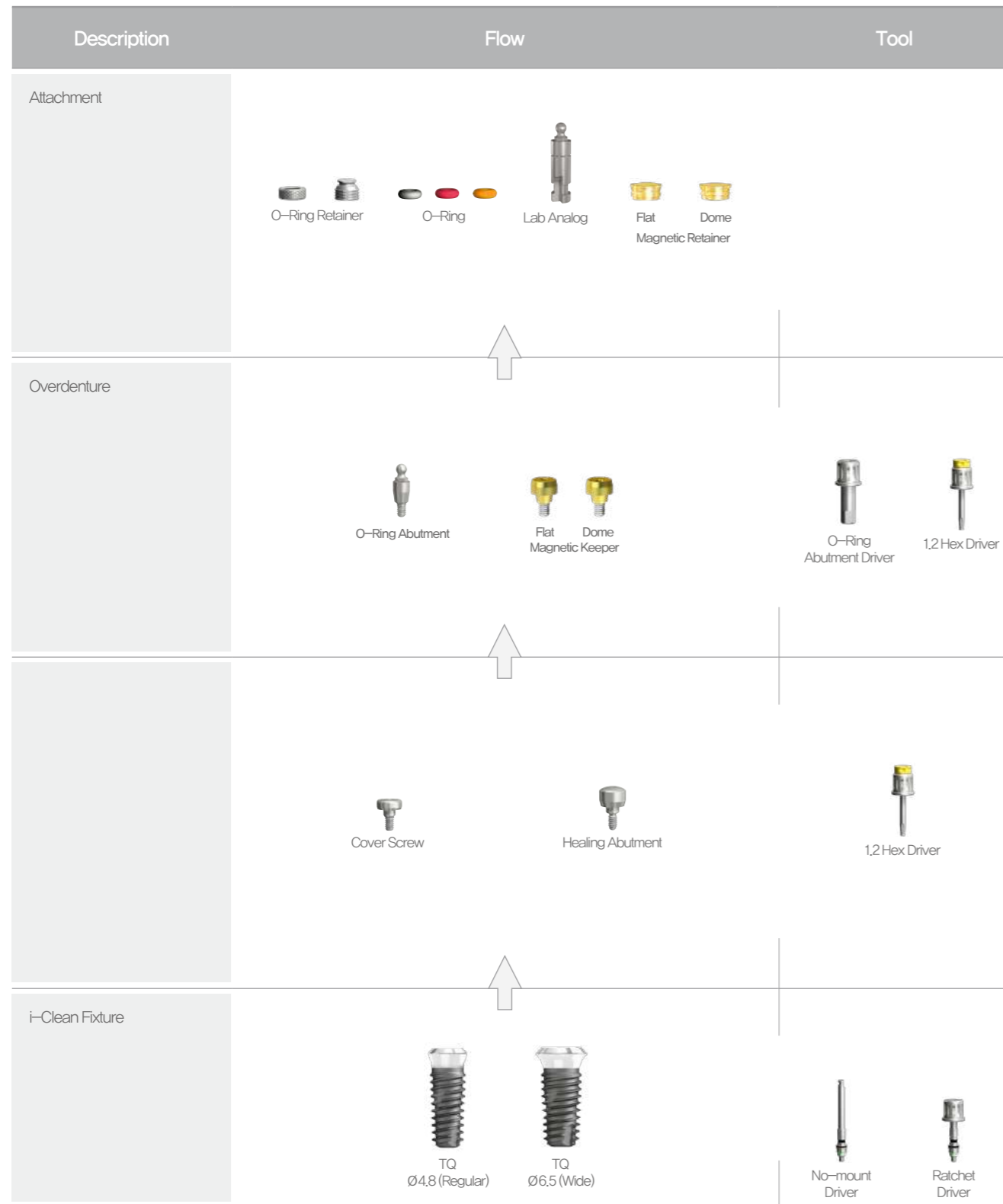
Temporary Abutment

A/D	Type	Code No.
Ø4.8 (Regular)	Octa	DIOTOS
	N-Octa	DIOTNS
Ø6.5 (Wide)	Octa	DIOTWOS
	N-Octa	DIOTWNS

※ Set Code(S) : Healing Cap + Screw(DIOACS)



Prosthetic Flow Diagrams for i-Clean Overdenture system

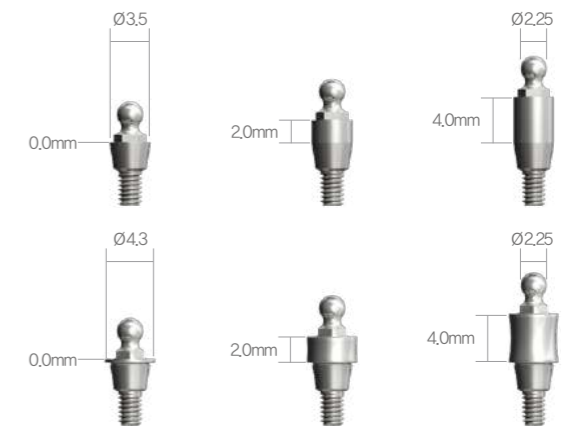


O-Ring Abutment



DIORA20 + DISTF4840102

A/D	C/H	Code No.
Ø3,5 (Regular)	0,0mm	DIORA00
	2,0mm	DIORA20
	4,0mm	DIORA40
Ø4,3 (Wide)	0,0mm	DIORAW00
	2,0mm	DIORAW20
	4,0mm	DIORAW40



O-Ring Lab Analog

Code No.
DOLA



O-Ring Retainer [Open]

Code No.
DORS



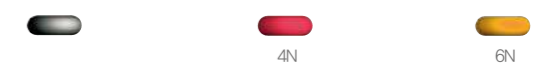
O-Ring Retainer [Close]

Code No.
DORCS



O-Ring

Abutment Diameter	Code No.
ORING (BLACK)	DOAO100
ORING1 (RED)	DOAO400
ORING2 (ORANGE)	DOAO800



i-Clean DOA MAGNETIC



i-Clean						
Type	A/D	C/H	Keeper Code	Retainer Code (Flat Type)	Mount Ring Code	Set Code
Regular ø4.8	4.4	1.5	DIRMK4415F	DMDRA4423F	DIMR44	DIRMK4415FS
		2.5	DIRMK4425F			DIRMK4425FS
	4.9	1.5	DIRMK4915F	DMDRA4923F	DMR49	DIRMK4915FS
		2.5	DIRMK4925F			DIRMK4925FS

i-Clean						
Type	A/D	C/H	Keeper Code	Retainer Code (Dome Type)	Mount Ring Code	Set Code
Regular ø4.8	4.4	1.5	DIRMK4415D	DMDRA4422D	DIMR44	DIRMK4415DS
		2.5	DIRMK4425D			DIRMK4425DS
	4.9	1.5	DIRMK4915D	DMDRA4922D	DMR49	DIRMK4915DS
		2.5	DIRMK4925D			DIRMK4925DS

※ Set Code(S) : Keeper+ Retainer



ScanBody

Internal Regular/Wide

Diameter	Length	Type	Code No.
ø4.5 (Regular)	5mm	Short	DISBSS
	9mm	Long	DISBLS
ø5.0 (Wide)	5mm	Short	DISBWSS
	9mm	Long	DISBWLS

Screw : DSSBS



Regular

ø4.8 Platform

ø6.5 Platform

Pre-Milled Abutment

Internal A-TYPE(Arum)

Regular

Abutment Diameter	Hex	Code No.
Ø10	Octa	DICBA10S
	N-Octa	DICBA10NS
Ø14	Octa	DICBA14S
	N-Octa	DICBA14NS

Screw Code : DEASRH

Wide

Abutment Diameter	Hex	Code No.
Ø10	Octa	DICBAW10S
	N-Octa	DICBAW10NS
Ø14	Octa	DICBAW14S
	N-Octa	DICBAW14NS

Screw Code : DIAS

Internal M-TYPE(Manix)

Regular

Abutment Diameter	Hex	Code No.
Ø10	Octa	DICBM10S
	N-Octa	DICBM10NS
Ø14	Octa	DICBM14S
	N-Octa	DICBM14NS

Screw Code : DEASRH

Wide

Abutment Diameter	Hex	Code No.
Ø10	Octa	DICBMW10S
	N-Octa	DICBMW10NS
Ø14	Octa	DICBMW14S
	N-Octa	DICBMW14NS

Screw Code : DIAS



DENTIS

TQ Surgical Kit

Lindemann Drill
DLINDST23

Drill Extension
DDE

Straight / Step Drill
DSQSD2207, DSQSD2208, DSQSD2210, DSQSD2212, DSQSD2214, DSQSTD2814, DSQSTD3507, DSQSTD3508, DSQSTD3510, DSQSTD3512, DSQSTD3514, DSQSTD4007, DSQSTD4008, DSQSTD4010, DSQSTD4012, DSQSTD4014, DSQSTD4507, DSQSTD4508, DSQSTD4510, DSQSTD4512, DSQSTD4514, DSQSTD5007, DSQSTD5008, DSQSTD5010, DSQSTD5012, DSQSTD5014, DSQSTD5507, DSQSTD5508, DSQSTD5510, DSQSTD5512, DSQSTD5514

Option
DSQCS35, DSQCS40, DSQCS45, DSQCS50, DSQCS55

Probe Depth Gauge
DPDG

Torque Ratchet
DTR

Code - DTQKF

Parallel Pin for Drill
DPPD

i-Clean No-mount Driver
DINDS, DINDL

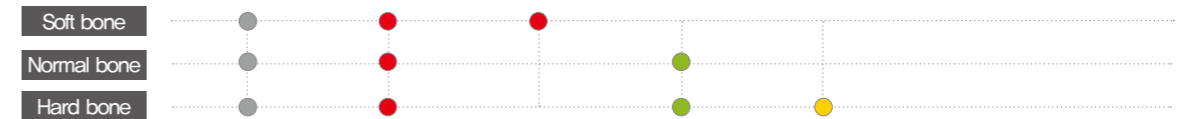
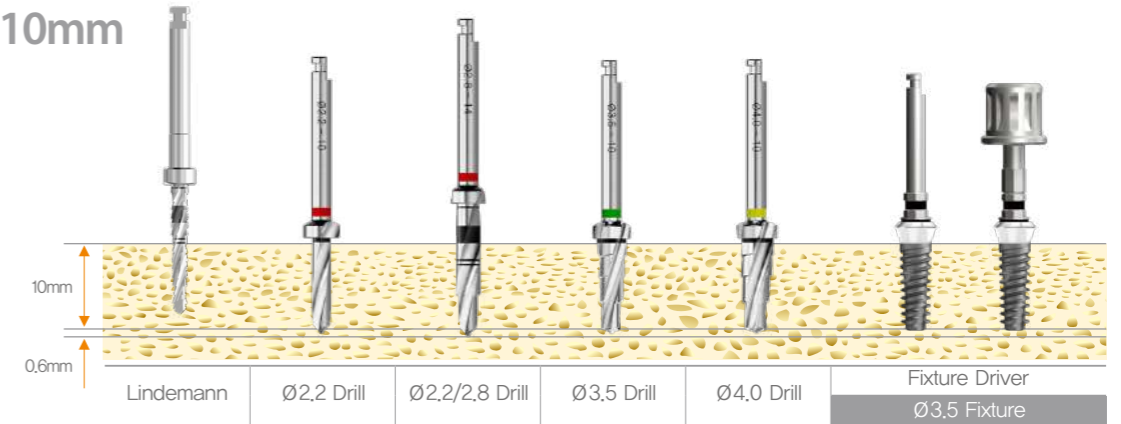
i-Clean Ratchet Driver
DRMDIS, DRMDIL

i-Clean Hex Driver
1.25 Hex Driver, DRHDS125, DRHDL125

TQ Drilling Sequence

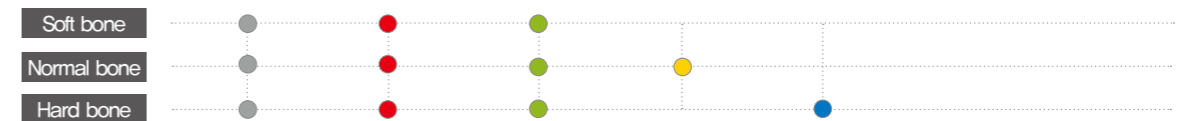
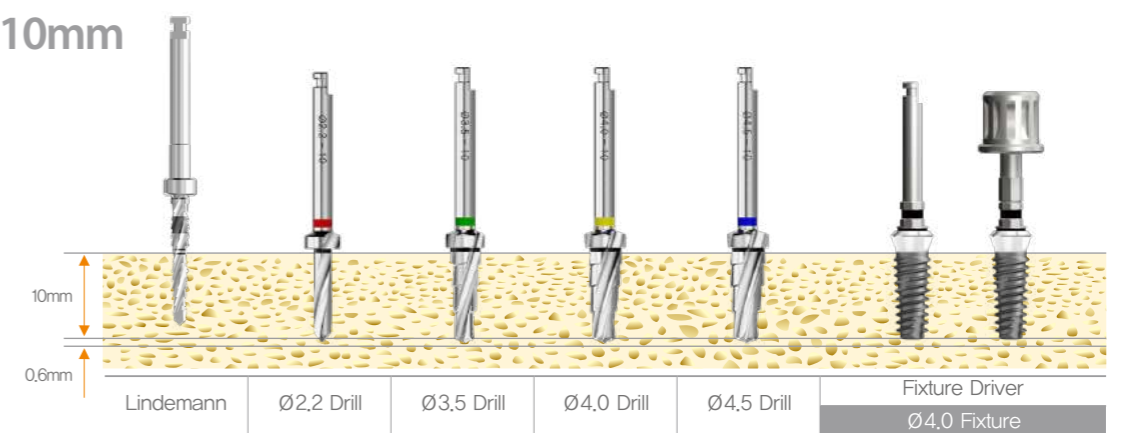
Fixture 식립시 Bone level 하방 0.5~1mm 깊게 식립합니다.

Ø3.5 x 10mm



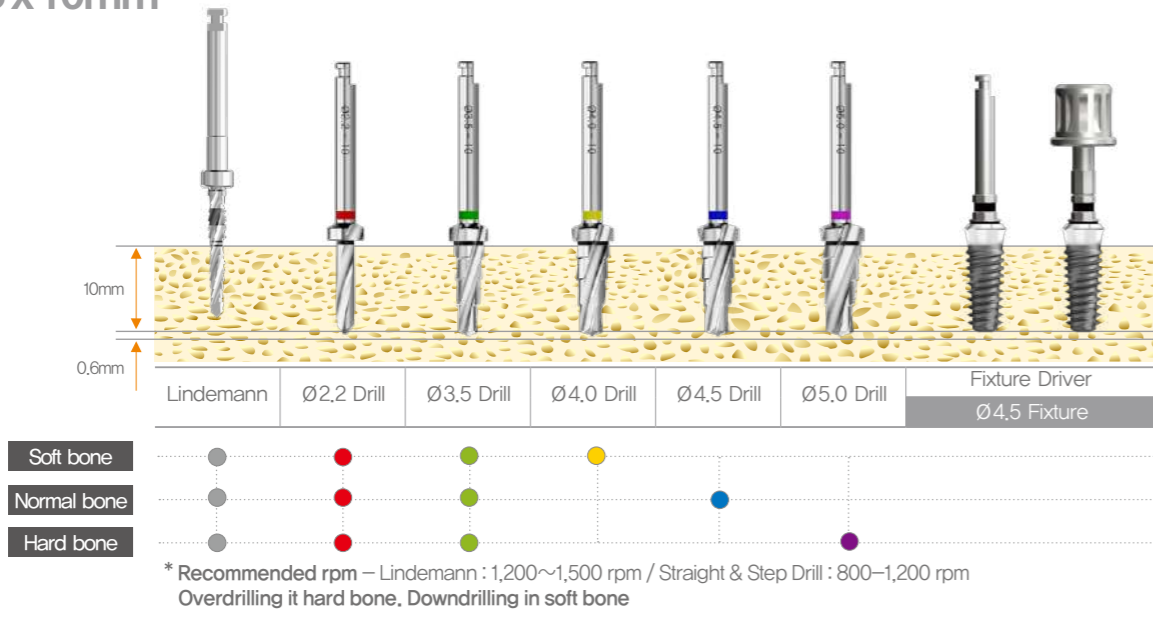
* Recommended rpm – Lindemann : 1,200~1,500 rpm / Straight & Step Drill : 800~1,200 rpm
Overdrilling it hard bone. Downdrilling in soft bone

Ø4.0 x 10mm

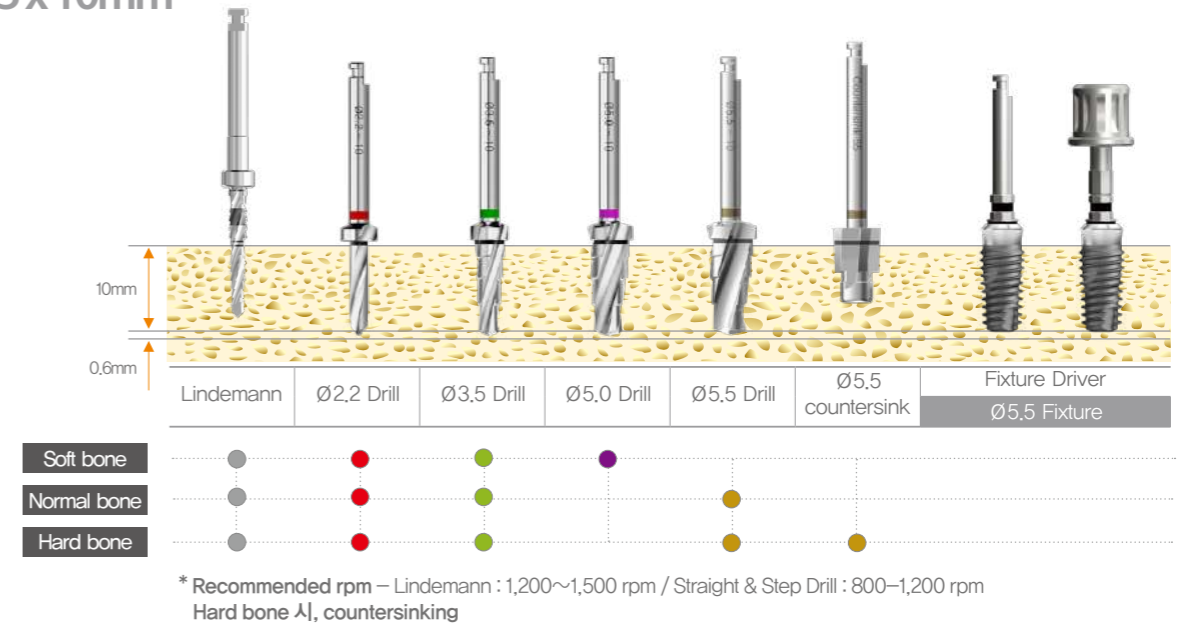


* Recommended rpm – Lindemann : 1,200~1,500 rpm / Straight & Step Drill : 800~1,200 rpm
Overdrilling it hard bone. Downdrilling in soft bone

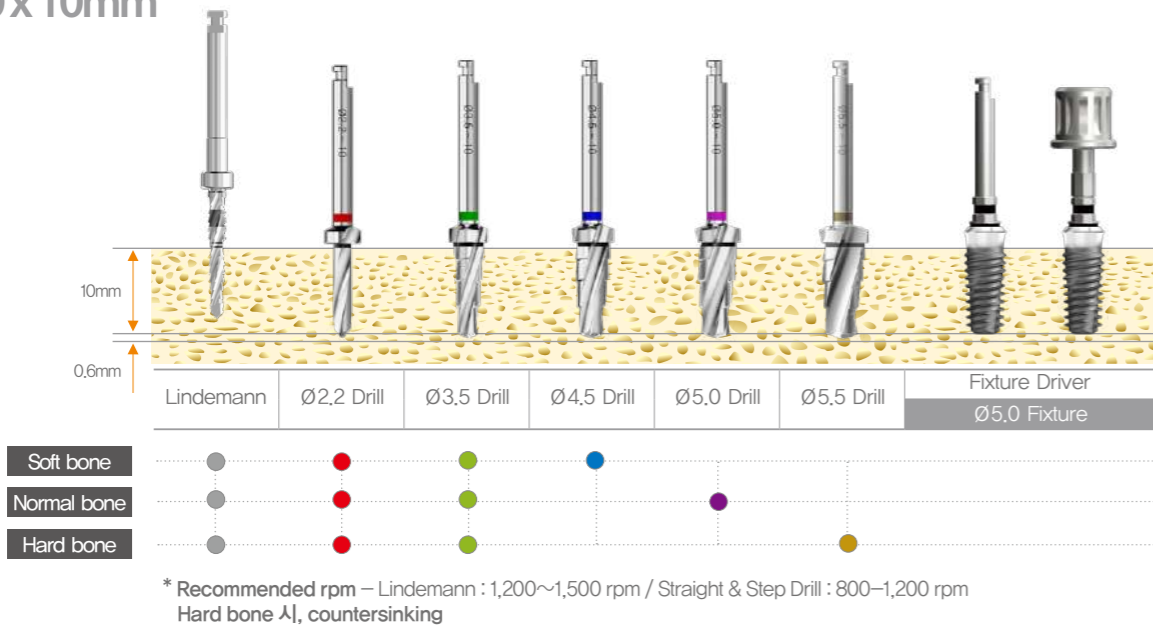
Ø4.5x10mm



Ø5.5x10mm



Ø5.0x10mm

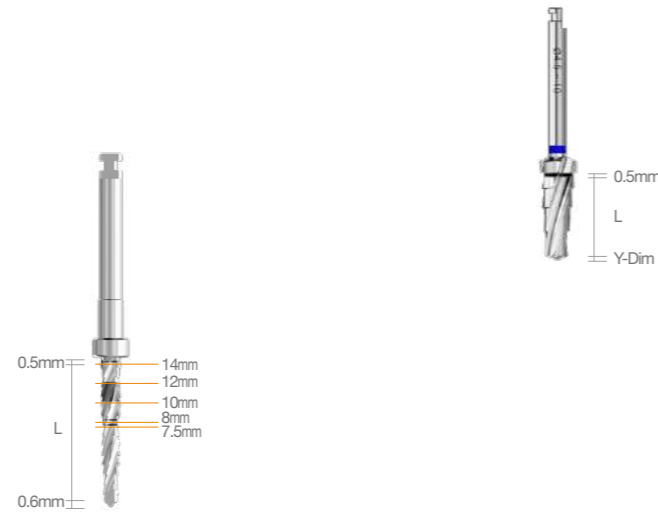


TQ Surgical Instrument

Lindemann Drill

Lindemann Drill	L
DLINDST23	14

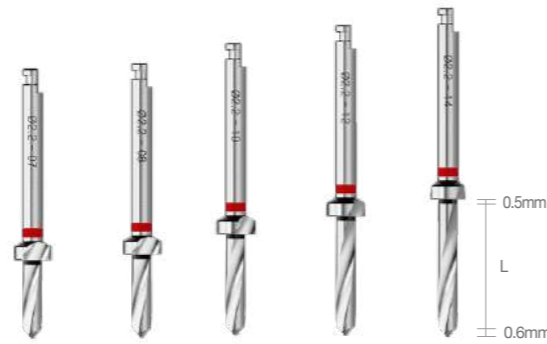
※ Side cut으로 Path 수정가능



SQ Straight Drill

Ø2.2	L
DSQSD2207	7.5
DSQSD2208	8
DSQSD2210	10
DSQSD2212	12
DSQSD2214	14

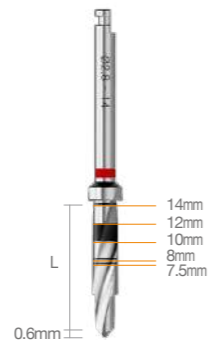
※ Fixture 식립 hole 형성



Step Drill 2.8

Ø2.8	L
DSQSTD2814	14

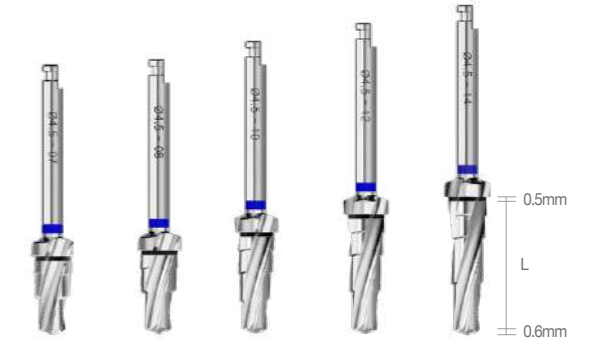
※ Fixture 식립 hole 형성



Step Drill

Ø3.5 Twist	Ø4.0 Twist	Ø4.5 Twist	Ø5.0 Twist	Ø5.5 Twist	L
DSQSTD3507	DSQSTD4007	DSQSTD4507	DSQSTD5007	DSQSTD5507	7.5
DSQSTD3508	DSQSTD4008	DSQSTD4508	DSQSTD5008	DSQSTD5508	8
DSQSTD3510	DSQSTD4010	DSQSTD4510	DSQSTD5010	DSQSTD5510	10
DSQSTD3512	DSQSTD4012	DSQSTD4512	DSQSTD5012	DSQSTD5512	12
DSQSTD3514	DSQSTD4014	DSQSTD4514	DSQSTD5014	DSQSTD5514	14

※ Fixture 식립 hole 형성, Drill Color는 Fixture 직경을 표시



Drill Extension

Code No.
DDE

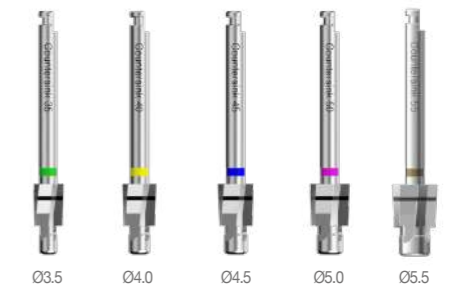
※ Drill이 짧을 시, 길이 연장을 위해 사용



Countersink

Ø3.5	Ø4.0	Ø4.5	Ø4.5	Ø5.5
DSQCS35	DSQCS40	DSQCS45	DSQCS50	DSQCS55

※ Cortical bone의 hole을 넓힐 때 사용(hard bone에서 용이)



1.25 Hex Driver

	Extra Short	Short	Long	Extra Long
Code No.	*DRHDES125	DRHDS125	DRHDL125	*DRHD23125 *DRHD35125
L	5.8	10	15	23 35

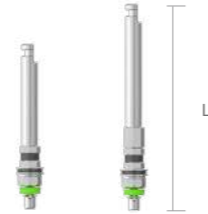
※ Cover Screw, Abutment Screw, Healing Abutment 체결시 사용
* Option 품목



No-Mount Driver

	Short	Long
Code No.	DINDS	DINDL
L	23.7	29.7

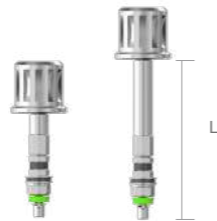
※ Handpiece를 사용하여 Fixture를 식립하거나 제거 할 때 사용



Ratchet Driver

	Short	Long
Code No.	DRMDIS	DRMDIL
L	15	23

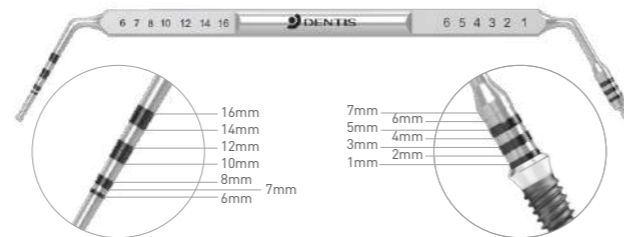
※ Ratchet을 사용하여 Fixture를 식립하거나 제거 할 때 사용



Probe Depth Gauge

Code No.
DPDG

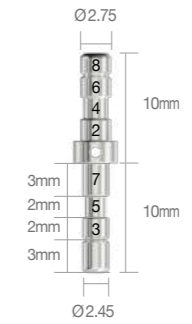
※ 식립 hole 깊이, Tissue 높이 측정 시 사용



TQ Parallel Pin for Drill

Code No.
DPPD

※ Drilling 후 path 확인



Torque Ratchet

Code No.
DTR

※ Fixture 식립 시, Ratchet Driver를 체결하여 사용

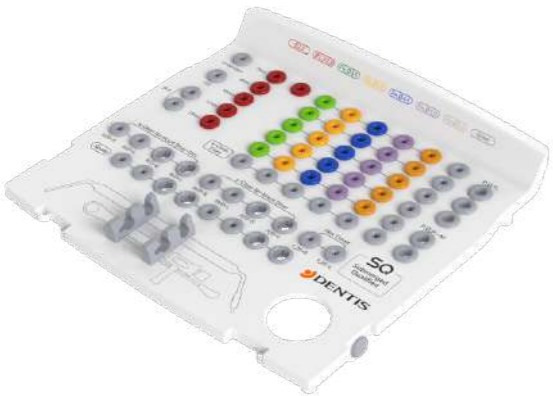


TQ Surgical Kit

상판



중판



하판



Surgical Kit 하단 guide hole에 손가락을 넣어 들어올린다.



상판을 직각으로 세운 상태에서 위로 들어올려 분리한다.



상판을 직각으로 세운 상태에서 키홈을 맞추어 조립한다.



Guide hole에 손가락을 넣어 화살표 방향으로 중판을 들어올린다.



① 중판 아랫부분을 먼저 끼워넣고
② 윗부분을 눌러서 조립한다.

TQ Surgical Manual



1. Incision

- Mess를 이용하여 Fixture를 식립할 위치를 절개합니다.



2. Lindemann Drill

- Lindemann Drill을 이용하여 drilling을 위한 guide hole을 형성합니다.



3. Straight/Step Drill

- Drilling시 엔진의 회전수는 bone density에 따라 다르게 설정 할 수 있고 엔진의 권장 회전수는 800~1,200RPM이며, Fixture 식립 깊이에 맞게 설정된 Laser Marking 시작부까지 drilling합니다.
- Drilling시 Fixture 길이에 맞는 drill을 사용합니다.



4. Countersink

- Drilling시 엔진의 회전수는 bone density에 따라 다르게 설정할 수 있으며 권장 회전수는 800~1,000RPM입니다.
- 골질에 따라 D1~D2 bone의 경우에 laser marking 시작부까지 drilling합니다.



5. Fixture 식립 [1]

- Surgical Kit에 구성되어 있는 s-Clean No-Mount Driver를 Fixture에 체결하여 Fixture를 식립합니다.
- Fixture 식립 시 엔진의 권장 회전수 및 설정 토크값은 각 20RPM, 30Ncm이며, 최대 식립 토크값은 40Ncm입니다.



6. Fixture 식립 [2]

- Surgical Kit에 구성되어 있는 Torque Ratchet에 s-Clean Ratchet Driver를 연결한 후 Fixture를 체결하여 식립합니다.
- Fixture 식립시 s-Clean Ratchet Driver에 표시되어 있는 laser marking 부까지 정확하게 식립합니다.
- 식립시 과한 토크가 발생하지 않도록 주의합니다.



7. Cover Screw 체결

- Cover Screw를 1.25 Hex Driver를 이용하여 꺼낸 후 구강 내 식립된 Fixture에 체결합니다.
- 구강 내 Fixture에 Cover Screw 체결시 권장 토크값은 5~8Ncm입니다.



8. Suture

- Cover Screw를 체결한 후 치은을 봉합하여 부착처음이 충분히 확보될 수 있도록 합니다.

SAVE SINUS KIT (Code : DSSK)

SAVE SINUS KIT는 Crestal, Lateral Approach 어느 방향에서도 접근이 가능한 SINUS 키트로써 상악동의 멤브레인을 보다 안전하고, 빠르게 거상할 수 있도록 디자인되었습니다. 또한 모든 구성품들은 덴티스 제품에 특화되어 OneQ Fixture, Ovis Bone과 함께 사용 시 성공적인 임플란트 솔루션을 제공합니다.

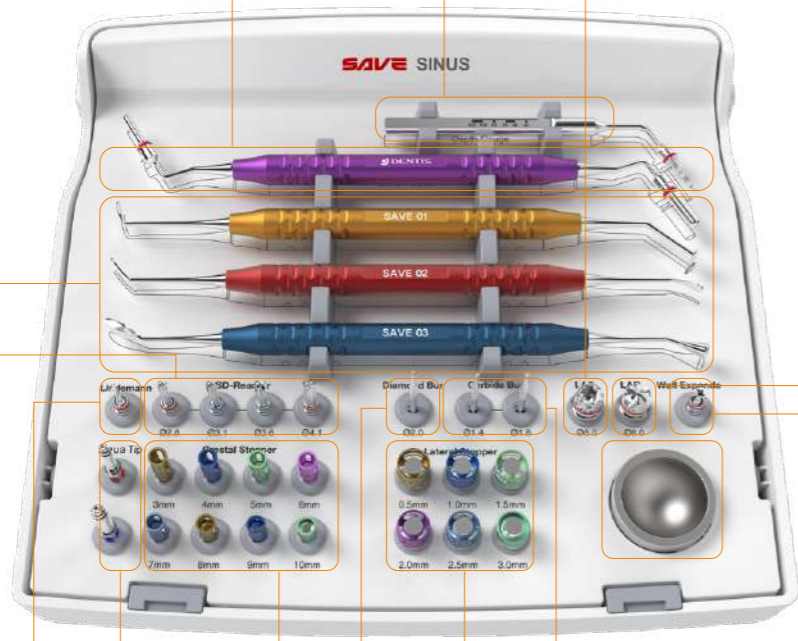
SAVE SINUS KIT 교육영상



Crestal Lateral



Sinus Curette Bone Packer Depth Gauge LAD LAR Wall expander



*하판구성품
Silicone Tube
MSTSGD0257
Suction Tip
MSTSGD0290

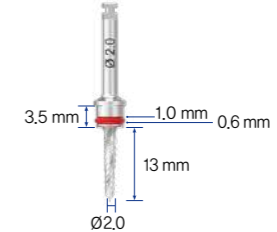
Reamer	Lindemann	Aqua Tip	Crestal Stopper	Diamond Bur	Carbide Bur	Lateral Stopper
<p>MSTSGD0220 MSTSGD0221 MSTSGD0222 MSTSGD0279</p>	<p>MSTSGD0162</p>	<p>DSSAT31 DSSAT41</p>	<p>MSTSGD0223 ~ MSTSGD0230</p>	<p>MSTSGD0288</p>	<p>MSTSGD0291 MSTSGD0289</p>	<p>MSTSGD0233 ~ MSTSGD0238</p>

Crestal Approach 구성품

Lindemann Drill

- Initial drilling용
- Crestal stopper를 체결하여 사용
- 권장 RPM : 800~1,200 RPM

Diameter / Length	Code
Ø2.0 / 13 mm	MSTSGD0162



Reamer

- Crestal approach 시 상악동막 손상을 방지하기 위한 cutting edge 없는 round end 디자인
- Crestal stopper를 체결하여 사용
- 권장 RPM : (Normal bone) High speed drilling 800~1,200 RPM (Soft bone) Low speed drilling 50~100 RPM

Diameter / Length	Code
Ø2.8 / 13 mm	MSTSGD0220
Ø3.1 / 13 mm	MSTSGD0221
Ø3.6 / 13 mm	MSTSGD0222
Ø4.1 / 13 mm	MSTSGD0279



*Cutting edge 없는 round end 디자인



Crestal Stopper

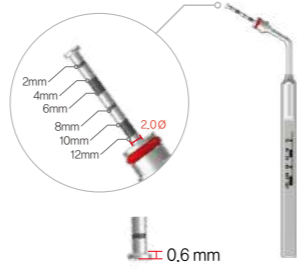
- Lindemann drill, reamer, depth gauge, wall expander 등에 체결하여 사용
- Over instrumentation 방지



Length	3mm	4mm	5mm	6mm	7mm	8mm	9mm	10mm
Code	MSTSGD0223	MSTSGD0224	MSTSGD0225	MSTSGD0226	MSTSGD0227	MSTSGD0228	MSTSGD0229	MSTSGD0230

Depth Gauge

- SD Reamer 사용 후 sinus floor 관통 여부 확인
- 2~12mm (2mm 단위) 레이저 마킹 표시
- Crestal stopper 체결하여 사용



Diameter / Length	Code
Ø2.0	MSTSGD0141

Bone Packer

- SD Reamer로 형성된 홈을 통해 골이식재를 상악동으로 밀어 넣음
- Crestal stopper와 체결
- SD Reamer 사용 후 sensor gauge (Sinus floor 관통 확인) 용도로도 사용 가능



Diameter	Code
Ø3.5 / Ø4.5	MSTSGD0174

Aqua Tip

- Crestal approach 시 상악동 막을 수압을 이용해 거상할 때 사용



Diameter	Code
Ø3.1	DSSAT31
Ø4.1	DSSAT41

Silicone Tube

- Aqua Tip에 연결하여 사용



Code
MSTSGD0257

Lateral Approach 구성품

Carbide Round Bur

- Lateral window open용 bur
- Straight handpiece용
- Straight low speed round bur의 직경 Ø1.4는 #4, Ø1.8은 #6 bur 크기에 해당
- 권장 RPM : 30,000~40,000 RPM



Diameter	Code
Ø1.4	MSTSGD0291
Ø1.8	MSTSGD0289

Diamond Round Bur

- Lateral window open용 bur
- Straight handpiece용
- 권장 RPM : 30,000~40,000 RPM



Diameter	Code
Ø2.0	MSTSGD0288

LAR (Lateral Approach Reamer)

- Sinus lateral wall을 grinding 하여 bony window 형성
- Blade 디자인으로 절삭력이 우수하며 절삭 시 blade 내 bone chip이 채워지는 디자인을 채택함으로써 상악동막의 손상을 줄여줌
- Lateral stopper를 체결하여 사용
- 권장 RPM : 800~1,200 RPM

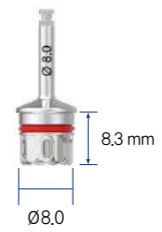
Diameter	Code
Ø8.0	MSTSGD0190



LAD (Lateral Approach Drill)

- Sinus lateral wall에 bone lid를 형성하여 lateral window 형성
- 부드러운 곡선형 날 형태로 상악동 막에 가해지는 손상을 줄여주고, bone lid를 형성
- Lateral stopper를 체결하여 사용
- 권장 RPM : 800~1,200 RPM

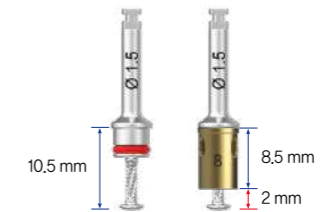
Diameter	Code
Ø8.0	MSTSGD0203



Wall Expander

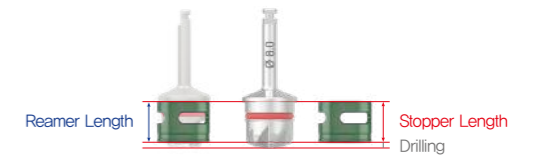
- LAD나 LAR로 형성한 bony window를 확장할 경우 사용
- Crestal stopper를 체결하여 사용 (8, 9, 10)
- Stopper 선택 시, crestal stopper height-7mm = Lateral wall width
- 권장 RPM : 800~1,200 RPM

Diameter	Code
Ø1.5	MSTSGD0191



Wall Stopper

- LAD, LAR Reamer의 정확한 drilling 깊이를 조절하기 위해 사용



Length	0.5mm	1.0mm	1.5mm	2.0mm	2.5mm	3.0mm
Code	MSTSGD0233	MSTSGD0234	MSTSGD0235	MSTSGD0236	MSTSGD0237	MSTSGD0230

Sinus Curette

- 상악동 막을 안전하게 거상하도록 디자인된 3개의 curette으로 구성
- Sinus Curette 01~03 기구 순번대로 사용
- 상악동 내 curette의 조작성을 향상시키기 위하여 tip size를 최소화
- 기구 사용 중 회전방지하기 위한 anti-rotation 구조의 handle

1) Sinus Curette 01

- Sinus membrane의 초기 박리를 위해 membrane separator 사용 후 반대 부분을 이용하여 초기 거상을 시행

Code
MSTSGD0244



2) Sinus Curette 02

- Membrane elevator 부분은 Sinus Curette에 이어 sinus membrane을 지속 거상
- Periosteal elevator 부분은 medial(palatal) wall 부위를 박리할 때 사용
- Periosteal elevator 부분은 lateral window를 떼어낼 때 활용가능

Code
MSTSGD0245



3) Sinus Curette 03

- Bone graft 시 사용
- Bone carrier에 bone graft material을 담은 후 sinus curette을 이용해 확보된 상악동 cavity에 옮긴 후 plugger를 이용해 충전

Code
MSTSGD0246



통합 구성품

Suction Tip

- Lateral approach시 사용하며 상악동 막의 천공을 방지하기 위해 부드러운 끝 처리로 디자인

Code
MSTSGD0290



Bone Well

- 이식재를 담거나 수화 시 사용



SAVE GBR KIT (Code : DGKT)

SAVE GBR KIT 교육영상



SAVE GBR KIT는 Bone Screw, Bone Tack 등 GBR 테크닉시 적용가능한 고정나사를 구성한 KIT 입니다. 모든 구성품들은 덴티스 제품에 특화되어 Ovis Bone, SQ Fixture, OneQ Fixture와 함께 사용시 성공적인 GBR 솔루션을 제공합니다.

Component Labels:

- DGBTDC, DGBTDS
- DGUDH
- DRHDL09
- DGBSDTH
- Bone Tack Driver (Curved / Straight)
- Universal Driver Handle
- Hex Driver(Ø0.9)
- Bone Screw Driver Tip (H/P)
- Bone Chip Drill(Ø5.0) DGBC50
- Bone Trimming Bur (Straight / Contra) DGBTB50L / DGBTB50H
- Fixation Components
- Tenting Screw (8/10/12/14mm)
- Bone Screw (3/5/7mm)
- Cover Cap
- Bone Tack (3,5/5mm)
- Spacer (1/2mm)
- Healing Cap
- Bone Screw Driver Tip (DGBSD)
- Bone Tack Removal Tip (DGBTRT)
- Cortical Perforation Bur (Straight / Contra) (DGCPC10L, DGCPC10H)
- Pilot Drill(Ø1.2) (DGPD12)
- Stopper(3/5/7mm) (DGS03, DGS05, DGS07)

Handle & Driver



Hex Driver(0.9)

- Spacer에 Healing Cap을 체결할 때 사용합니다.

Code

DRHDL09



Driver Tips for Universal Handle (Bone Tack & Bone Screw)

- Bone Screw Driver, Tack Driver와 Removal Tip을 연결하여 사용하는 핸들입니다.

Code

DGUDH

Bone Tack Instruments



Bone Tack Driver(Straight/Curved)

- Bone Tack을 Holding하고 식립하기 위해 사용합니다.

Type	Code
Straight	DGBTDS
Curved	DGS07



Bone Tack Removal Tip

- 고정된 Bone Tack을 제거시 사용합니다.

Code

DGBTRT

Bone Screw & Tenting Screw Instruments



Pilot Drill

- Bone Screw 및 Tenting Screw사용시 피질골이 두꺼운 경우 사용합니다.

- Drill Diameter : ϕ 1.2mm

- 권장 RPM : 800~1500RPM

Code

DGPD12



Stopper

- Bone Screw, Tenting Screw 식립 시 정확한 Drilling depth를 control하기 위해 Pilot Drill에 연결하여 사용합니다.

길이	Code
3mm	DGS03
5mm	DGS05
7mm	DGS07



Bone Screw Driver

- Bone Screw를 Holding하고 식립하기 위해 사용합니다.

- Universal Handle 용

Code

DGBSD



Bone Screw Driver Tip(H/P용)

- Bone Screw를 Holding하고 식립하기 위해 사용합니다.

- Handpiece 용

Code

DGBSDTH

Drill



Bone Chip Drill(5.0)

- 자가골을 채취하기 위해 사용되는 드릴입니다. Stopper를 Bone Chip Drill에 체결한 다음 사용합니다.

- 구성 : Bone Chip Drill, Stopper

- Drill Diameter : ϕ 5.0

- Drilling depth : 4mm

- 권장 RPM : 300~600RPM

Code

DGBC50

Bur



Cortical Perforation Bur

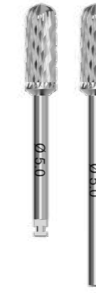
- 피질골을 천공시켜 안정적인 골재생을 도모하기 위해 사용합니다.

- Drill Diameter : ϕ 1.0

- Straight, Contra-angle

- 권장 RPM : Straigh 30,000~40,000 RPM / Contra-angle 1,200~1,500 RPM /

Type	Code
Straight	DGCPB10L
Contra-angle	DGCPB10H



Bone Trimming Bur

- 치조골을 다듬거나 골결손부의 육아조직을 제거하기 위해 사용합니다.

- Drill Diameter : ϕ 5.0 - Straight, Contra-angle

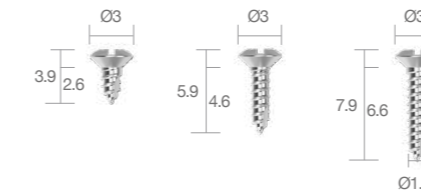
- 권장 RPM : Straigh 30,000~40,000 RPM / Contra-angle 1,200~1,500 RPM /

Type	Code
Straight	DGBTB50L
Contra-angle	DGBTB50H

Fixation Components (별매품)

Bone Screw

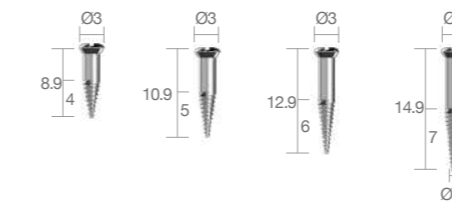
- 차폐막이나 Block Bone 고정을 위해 사용되며, 전용 Screw driver를 사용



사양	Bone Screw
길이	ϕ 3 공용
3mm	DBS1403
5mm	DBS1405
7mm	DBS1407

Tenting Screw

- 골 소실 부 수직적 골 증대 및 지지를 위해 사용되며, 전용 Screw Driver를 사용



사양	Tenting Screw
길이	ϕ 3 공용
8mm	DTS2008
10mm	DTS2010
12mm	DTS2012
14mm	DTS2014

Bone Tack

- 차폐막의 고정을 위해 사용되며, 전용 Bone Tack Driver와 mallet을 사용하여 적용



사양	Bone Tack
길이	ϕ 2.5 공용
3.5mm	DBT2503
5mm	DBT2505

Healing Cap & Cover Cap

- Non-Submerged 방식의 GBR시 Spacer위에 차폐막을 고정하기 위해 사용

- 0.9 Hex Driver 사용



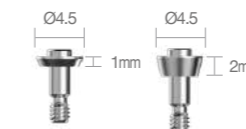
사양	Healing Cap / Cover Cap	
길이	ϕ 4.5	ϕ 5.5
3mm	DGHCN4503	DGHCN5503
4mm	DGHCN4504	DGHCN5504
CoverCap(1mm)	DGCCN4501	

Spacer

- Healing Cap과 사용

- 0.9 Hex Driver를 사용해 체결

- 권장 Torque 12~15Nc



사양	Spacer
길이	ϕ 4.5
1mm	DGSN4501
2mm	DGSN4502

SAVE FIX

(Code : MSTBNM0001)



개별구매불가

Bone Tack Holder+Cap+Handle



MSTBNM0002(0.8mm)

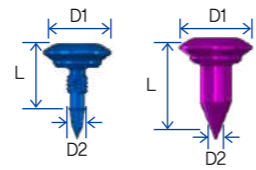
Bone Tack Holder+Cap+Handle



MSTBNM0003(1.1mm)



Bone Tack



D1(mm)	Ø2.5	Ø2.5
D2(mm)	0.8	1.1
L(mm)	2.6	2.6

D2	Code
0.8 (Blue)	MSTBNM0002
1.1 (Purple)	MSTBNM0003

SAVE RIDGE KIT

(Code : DSRK)

SAVE RIDGE KIT
Clinical Applications 영상



SAVE RIDGE KIT는 상황에 따라 치조능 분할술 (ridge split technique)과 치조능 확장술 (ridge expansion technique) 또는 복합적으로 사용하는 치조능 분할확장술 (ridge split & expansion technique)도 선택 가능한 만능 KIT 입니다. 또한 순차적 Expander Drill을 통한 추가 Drilling 없이 Fixture 식립까지 가능합니다.



MSTSGD0301

Guide Drill



DGBTB50L
DGBTB50H

Bone Trimming Bur
(Straight / Contra)



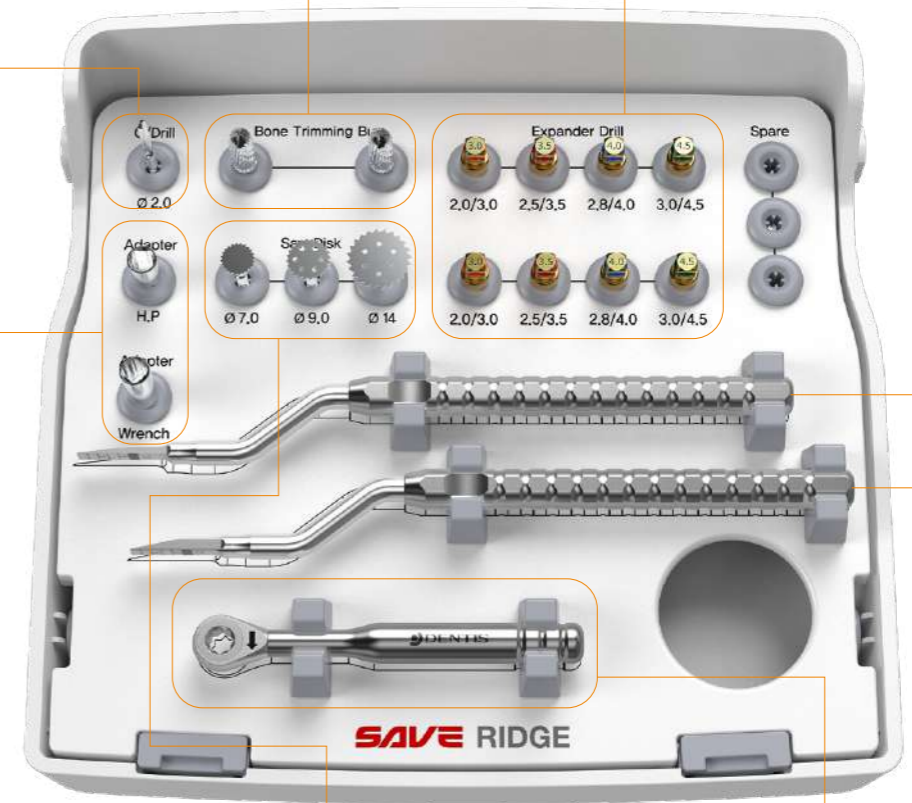
MSTSGD0317 ~ MSTSGD0320

Expander Drill
(3.0~4.5)



MSTSGD0297~MSTSGD0298

Bone Chisel
(1.5 / 2.5)



Adapte
(H.P/Wrench)

MSTSGD0302
MSTSGD0303



Saw Disk
(7/9/14)

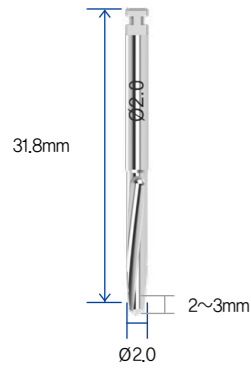
MSTSGD0010
MSTSGD0011
MSTSGD0299



Wrench

MSTSGD0300

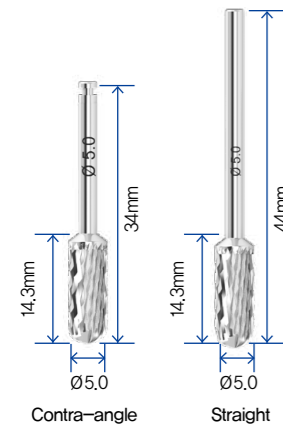




Guide Drill

- Bone 확장 전, 좁은 골 폭의 cortical bone에 2~3mm 정도의 marking hole 형성
- Drill Diameter : Ø2.0
- 권장 RPM : 1,200~1,500 RPM

Diameter / Length	Code
Ø2.0 / 14.5mm	MSTSGD0301



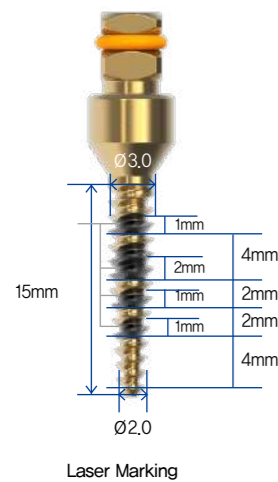
Bone Trimming Bur

- 날카롭고 좁아진 치조골을 다듬거나 골결손부의 육아조직을 제거하기 위해 사용
- Edge 부분에 날의 기능이 있어 세워서 수직 또는 측면 사용 모두 가능
- Straight, contra-angle type 2가지 구성
- 권장 RPM : Straight 30,000~40,000 RPM / Contra-angle 1,500 RPM

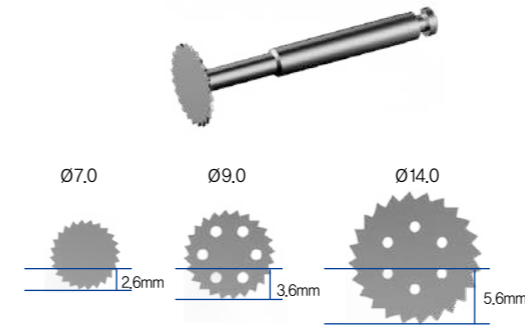
Diameter	Type	Code
Ø5.0	Contra-angle	MSTSGD0285
	Straight	MSTSGD0287

Expander Drill

- Guide Drill로 형성한 홀을 순차적 확장
- Drill Diameter (Ø하부/상부) : Orange Ø2.0/3.0, Red Ø2.5/3.5, Blue Ø2.8/4.0, Green Ø3.0/4.5
- Laser marking 표시
- Fixture 사이즈보다 Ø0.5 작게 확장하는 것을 권장
- 사이즈별 각 2개씩 구성
- 권장 RPM : 30~40 RPM



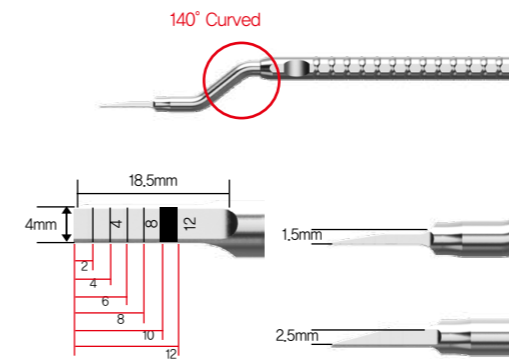
CODE	MSTSGD0317	MSTSGD0318	MSTSGD0319	MSTSGD0320
Color	Orange	Red	Blue	Green
Diameter	Ø2.0/3.0	Ø2.5/3.5	Ø2.8/4.0	Ø3.0/4.5
Expander Drill				



Saw Disk

- Fixture 식립 부위 뼈 절개 시 사용 (근원심절개 → 양쪽 협설절개)
- 사용 시 킬링 없는 설계로 안전하게 절개 가능
- 권장 RPM : 1,200~1,500 RPM

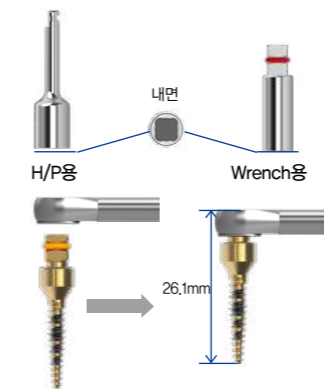
Side Length	Code
7mm	MSTSGD0010
9mm	MSTSGD0011
14mm	MSTSGD0299



Bone Chisel

- Saw Disk를 이용 해 절개한 부위에 1차 bone expanding시 사용
- Saw Disk 사용 후 틈새 삽입하여 초기 확장에 사용
- 1.5, 2.5mm 2가지 두께 사양으로 안정적 골 확장 보상
- 140° curved 처리되어 구치부 접근 용이

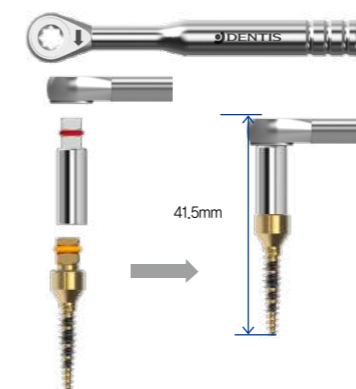
Thickness	Code
1.5mm	MSTSGD0297
2.5mm	MSTSGD0298



Adapter

- Expander drill 사용 시 길이연장에 사용
- 15.4mm 길이 증가로 인접치 간섭 없이 사용 가능
- H/p용, wrench용 2가지 구성

Connection	Code
H/P	MSTSGD0302
Wrench	MSTSGD0303



Wrench

- Expander drill 체결하여 사용
- Expander drill에 adapter를 체결해 사용 가능

Code
MSTSGD0300

SAVE SEPTUM DRILL KIT (Code : DSSDK)

SAVE SEPTUM DRILL은 발치 후 즉시 식립 케이스에 유용하며, 발치 후 임플란트 공간 확보와 빠른 시술에 용이한 키트입니다. Sharp한 Septal bone에서도 미끌림 없이 정확하고 간편하게 Septal bone을 따라 Hole을 형성합니다.

SAVE SEPTUM KIT
오아시스 영상



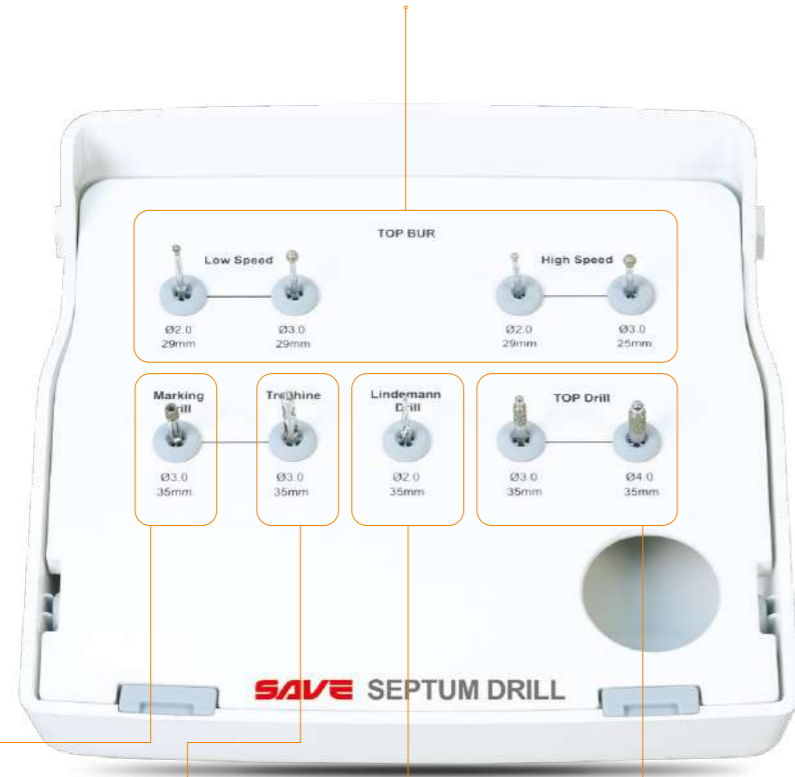
MSTSGD0048 / MSTSGD0049



MSTSGD0046 / MSTSGD0047

Low Speed Top bur (Ø2.0 / Ø3.0)

High Speed Top bur (Ø2.0 / Ø3.0)



Marking Drill

MSTSGD0100



Trepine Bur

MSTSGD0163



Lindemann Drill

MSTSGD0162



Top Drill (Ø3.0 / Ø4.0)

MSTSGD0137 / MSTSGD0209



Top Bur

- 발치 후 불량 육아조직 및 연조직 제거
- High Speed, Low Speed 2가지 Type
- Drill diameter : Ø 2.0 / Ø 3.0
- Low Speed 사용시 권장 RPM : 800 ~1,200 RPM

Type	High Speed		Low Speed	
Diameter	Ø2.0	Ø3.0	Ø2.0	Ø3.0
Code	MSTSGD0046	MSTSGD0047	MSTSGD0048	MSTSGD0049
Image				

Lindemann Drill



- Fixture 식립을 위한 기초 홈(hole) 형성
- 경사면에서도 미끄러짐 없는 드릴링 가능
- Drill diameter : Ø2.0
- 권장 RPM : 800~1,200 RPM

Diameter	Code
Ø2.0	MSTSGD0162

Marking Drill



- Septum 부위에 drilling 위치를 표시
- Diamond 코팅으로 septum부위에서의 미끄러짐을 방지
- Drill diameter : Ø3.0
- 권장 RPM : 800~1,200 RPM

Diameter	Code
Ø3.0	MSTSGD0100

Trepine Bur



- Marking drill로 표시한 부위에 삽입하여 septal bone 제거
- Initial hole을 생성하는 동시에 뼈를 채취
- Drill diameter : Ø2.0, Ø3.0
- 권장 RPM : 800~1,200 RPM

Diameter	Code
Ø3.0	MSTSGD0163

Top Drill



- Lindemann, trephine bur를 사용하여 형성된 기초 홈(hole)을 따라 septum 상부를 확장하여 final drill 사용 시 미끄럼 방지
- Drill diameter : Ø3.0, Ø4.0
- 권장 RPM : 800~1,200 RPM

Diameter	Code
Ø3.0	MSTSGD0137
Ø4.0	MSTSGD0209



Bone & Membrane

- Ovis BONE BCP
- Ovis BONE HA
- Ovis XENO-B
- Ovis XENO-XP
- Ovis XENO
- Ovis ALLO
- Ovis MEMBRANE
- Ovis MEMBRANE-P
- Ovis TRM

Ovis BONE BCP



특징

- B-TCP 80% : HA 20%
- β -TCP 고함유로 우수한 골전도
- 강력한 수화작용
- 손쉬운 조작성 (Syringe Type)
- 생체 적합성 및 뛰어난 생체 활성도
- 방사선 불투과성
- 거대, 미세 기공구조 (기공률 : 70%)

Ampoule

Size (mm)	Weight(g)	Code
S (0.3~0.5)	0.1g	PBS00FF00V0
	0.25g	PBS00FF01V0
	0.5g	PBS00FF02V0
	1.0g	PBS00FF03V0
M (0.5~1.0)	0.1g	PBS00FF10V0
	0.25g	PBS00FF11V0
	0.5g	PBS00FF12V0
	1.0g	PBS00FF13V0
L (1.0~2.0)	0.1g	PBS00FF20V0
	0.25g	PBS00FF21V0
	0.5g	PBS00FF22V0
	1.0g	PBS00FF23V0

Syringe



Size (mm)	Volume(cc)	Code
S (0.3~0.5)	0.25cc	PBS00FF01S0
	0.5cc	PBS00FF02S0
M (0.5~1.0)	0.25cc	PBS00FF11S0
	0.5cc	PBS00FF12S0
SM (0.3~1.0)	0.25cc	PBS00FF31S0
	0.5cc	PBS00FF32S0

Ovis BONE HA



특징

- HA 100%
- 우수한 골전도성
- 무독성 / 비염증성
- 손쉬운 조작성
- 방사선 불투과성
- 거대, 미세 기공구조

Size (mm)	Weight(g)	Code
0.5~1.0	0.1g	PBS00FF0000
	0.25g	PBS00FF0100
	0.5g	PBS00FF0200
	1.0g	PBS00FF0300

Ovis XENO-B



특징

- 인체의 뼈와 가장 유사한 성분으로 골 재생 특화
- 혈액 등 빠른 수화 가능
- 높은 압축강도로 체적 유지에 효과적
- 나노 크기의 미세기공 구조로 신생 골세포 쉽게 부착 가능

Size (mm)	Weight(g)	Code
S (0.25~1.0)	0.1g	PBX00FF0000
	0.25g	PBX00FF0100
	0.5g	PBX00FF0200
	1.0g	PBX00FF0300
L (1.0~2.0)	0.1g	PBX01FF1000
	0.25g	PBX01FF1100
	0.5g	PBX01FF1200
	1.0g	PBX01FF1300

◀ (출시예정)

Ovis XENO-XP



특징

- 인체의 뼈와 가장 유사한 기공률 및 높은 생체적합성
- 우수한 친수성과 조작성
- 광우병으로부터의 안전성

Size (mm)	Weight(g)	Code
P (0.2~1.0)	0.15g	MBOMXP0001
	0.25g	MBOMXP0002
	0.5g	MBOMXP0003
	1.0g	MBOMXP0004
C (1.0~2.0)	0.25g	MBOMXP0005
	0.5g	MBOMXP0006
	1.0g	MBOMXP0007

Ovis XENO



특징

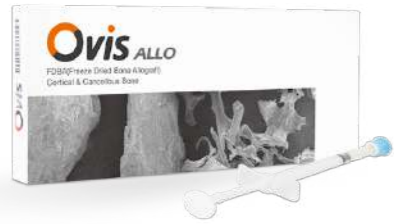
- 엄격한 제조 공정을 통해 얻어진 천연골 무기질
- 면역학적 거부 반응 없음
- 칼슘포스페이트(Ca-p) 크리스탈 이중 코팅

Size (mm)	Weight(g)	Code
S (0.25~1.0)	0.15g	MBOOVX0001
	0.25g	MBOOVX0003
	0.5g	MBOOVX0005
	1.0g	MBOOVX0007
L (1.0~2.0)	0.15g	MBOOVX0002
	0.25g	MBOOVX0004
	0.5g	MBOOVX0006
	1.0g	MBOOVX0008

Ovis ALLO

특징

- Cortical 50% + Cancellous 50%로 구성
- FDDBA (Freeze Dried Bone Allograft)
- 국내 기증자 우선 사용 원칙
- FDA 및 KFDA의 엄격한 가이드라인을 통과한 재료 사용



Size (mm)	Volume(cc)	Code
XS (0.2~0.5)	0.3cc	MBOOVA0005
	0.6cc	MBOOVA0006
S (0.3~0.8)	0.3cc	MBOOVA0003
	0.6cc	MBOOVA0004
L (0.5~1.0)	0.3cc	MBOOVA0001
	0.6cc	MBOOVA0002

Ovis MEMBRANE

특징

- 생분해성 콜라겐 멤브레인
- 물리적 UV 가교를 통한 무독성
- 우수한 수화력으로 부드럽고 손쉬운 조작
- 양면 사용
- 흡수 기간 : 3~6개월

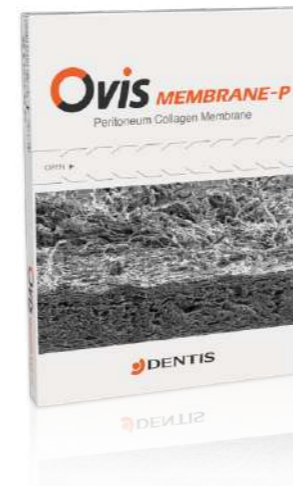


Type	Size (mm)	Code
Square	15 x 20	PBA00FFOX00
	20 x 30	PBA00FF2X00
	30 x 40	PBA00FF3X00

Ovis MEMBRANE-P

특징

- 생분해성 콜라겐 멤브레인
- 생체친화적 비화학 가교
- 봉합 시 우수한 인장강도
- 손쉬운 핸들링
- 양면 사용
- 흡수 기간 : 4~6개월



Type	Size (mm)	Code
Square	15 x 22	MMBOMP0001
	20 x 32	MMBOMP0002
	30 x 40	MMBOMP0003

Ovis TRM



특징

- 손쉬운 조작 및 공간 형성 능력
- 스크류 또는 핀 고정 용이
- 미세기공으로 박테리아와 세균의 침투 방지
- 초기 봉합 불필요 (Open membrane technique)
- 최소 절개 또는 무절개로 쉽게 제거
- 23종의 다양한 형태와 크기

 PM1224A 12mmx24mm	 PM2530A 25mmx30mm	 PMB2325 25.16mmx23.56mm
 PM1424A 14mmx24mm	 PM3040SA 30mmx40mm	 PN2029 (No Titanium) 29mmx19.82mm PMB2029 29mmx19.82mm
 PM1725A 17mmx25mm	 PM3040A 30mmx40mm	 PMB2127 27mmx21.44mm
 PM2025A 20mmx25mm	 PM2536A 36mmx25mm	 PMB2530 30mmx24.9mm PMB2025 20mmx24.9mm
 PM1319A 13mmx19mm	 PM3041A 41mmx30mm	 PMB2028 20mmx28.4mm PMB2830 30mmx28.4mm
 PM1318A 13mmx18mm	 PMB2021 20.71mmx19.8mm	 PN2025 (No Titanium) 20mmx25mm PN2530 (No Titanium) 25mmx30mm PN3040 (No Titanium) 30mmx40mm

Type	Size (mm)	Code
Titanium	OVIS-TRM [PM1224A (12x24mm)]	MMBTRM0001
	OVIS-TRM [PM1424A (14x24mm)]	MMBTRM0002
	OVIS-TRM [PM1725A (17x25mm)]	MMBTRM0003
	OVIS-TRM [PM2025A (20x25mm)]	MMBTRM0004
	OVIS-TRM [PM1319A (13x19mm)]	MMBTRM0005
	OVIS-TRM [PM1318A (13x18mm)]	MMBTRM0006
	OVIS-TRM [PM2530A (25x30mm)]	MMBTRM0007
	OVIS-TRM [PM3040SA (30x40mm)]	MMBTRM0008
	OVIS-TRM [PM3040A (30x40mm)]	MMBTRM0009
	OVIS-TRM [PM2536A (36x25mm)]	MMBTRM0010
	OVIS-TRM [PM3041A (41x30mm)]	MMBTRM0011
	OVIS-TRM [PMB2021 (20.71x19.8mm)]	MMBTRM0012
	OVIS-TRM [PMB2325 (25.16x23.56mm)]	MMBTRM0013
	OVIS-TRM [PMB2029 (29x19.82mm)]	MMBTRM0014
	OVIS-TRM [PMB2127 (27x21.44mm)]	MMBTRM0015
	OVIS-TRM [PMB2830 (30x28.4mm)]	MMBTRM0016
	OVIS-TRM [PMB2025 (20x24.9mm)]	MMBTRM0017
	OVIS-TRM [PMB2028 (20x28.4mm)]	MMBTRM0018
OVIS-TRM [PMB2530 (30x24.9mm)]	MMBTRM0019	
No-Ti	OVIS-TRM [PN2029] [29x19.82mm]	MMBTRM0020
	OVIS-TRM [PN2025] [20x25mm]	MMBTRM0021
	OVIS-TRM [PN2530] [25x30mm]	MMBTRM0022
	OVIS-TRM [PN3040] [30x40mm]	MMBTRM0023

DENOPS

덴티스 무통 마취기

- 가볍고 슬림한 디자인으로 술자의 피로도 감소
- 마취액 주입 속도 조절 3단계 선택 가능 (Low / Mid / High)
- '사용자모드' 설정으로 간편한 조작 가능
- 사용이 편리한 무선방식, 음성안내 시스템



Code : PA6NR0-00010



덴티스 무통 마취기 앰플케이스

- 오토클레이브 멸균 가능한 소재의 앰플케이스
- 투명소재로 앰플의 잔량 확인 가능



Code : SA6NRC-MJ010-AS

Louis Button II

덴티스 루이버튼

- Suture없이 부착치은의 소실방지
- 의료용 우레탄 사용으로 뛰어난 호환성
- 하방으로 구현된 8°의 각으로 치은조직을 압박하여 부착
- 내면에 Stopper가 있어 쉽게 탈락되지 않음

Diameter (Actual Diameter)	Code NO.
Ø4.0 (3.8)	DLB2T40
Ø4.5 (4.3)	DLB2T45
Ø5.0 (4.8)	DLB2T50
Ø5.5 (5.3)	DLB2T55
Ø6.0 (5.8)	DLB2T60
Ø6.5 (6.3)	DLB2T65
Ø7.5 (7.3)	DLB2T75



Louis Button II (vs) Suture

Louis Button II	Suture
절개된 치은 판막 압박 - 치은손실 방지	절개된 치은판막을 끌어당김-치은손실
쉽고 간편하게 끼우는 방식	봉합사를 이용한 어려운 봉합방식
탈착방식으로 시술시간 절약	봉합으로 인한 시술시간 증대
치은의 볼륨감 증대	협착치은의 볼륨확보 어려움
치은판막이 얇은 경우에도 시술가능	판막이 얇은 경우 시술이 어려움

DENTIS

DENTIS

DENTIS