

# s-Clean **SQ-SL Narrow Ø3.0** for Anterior Implant Placement

---

15 March, 2022

---

DENTIS R&D

---

# SQ-SL Narrow Ø3.0 for Anterior Implant Placement

## 1) Product Code No.

DSSFN3008



DSSFN3010



DSSFN3012



DSSFN3014



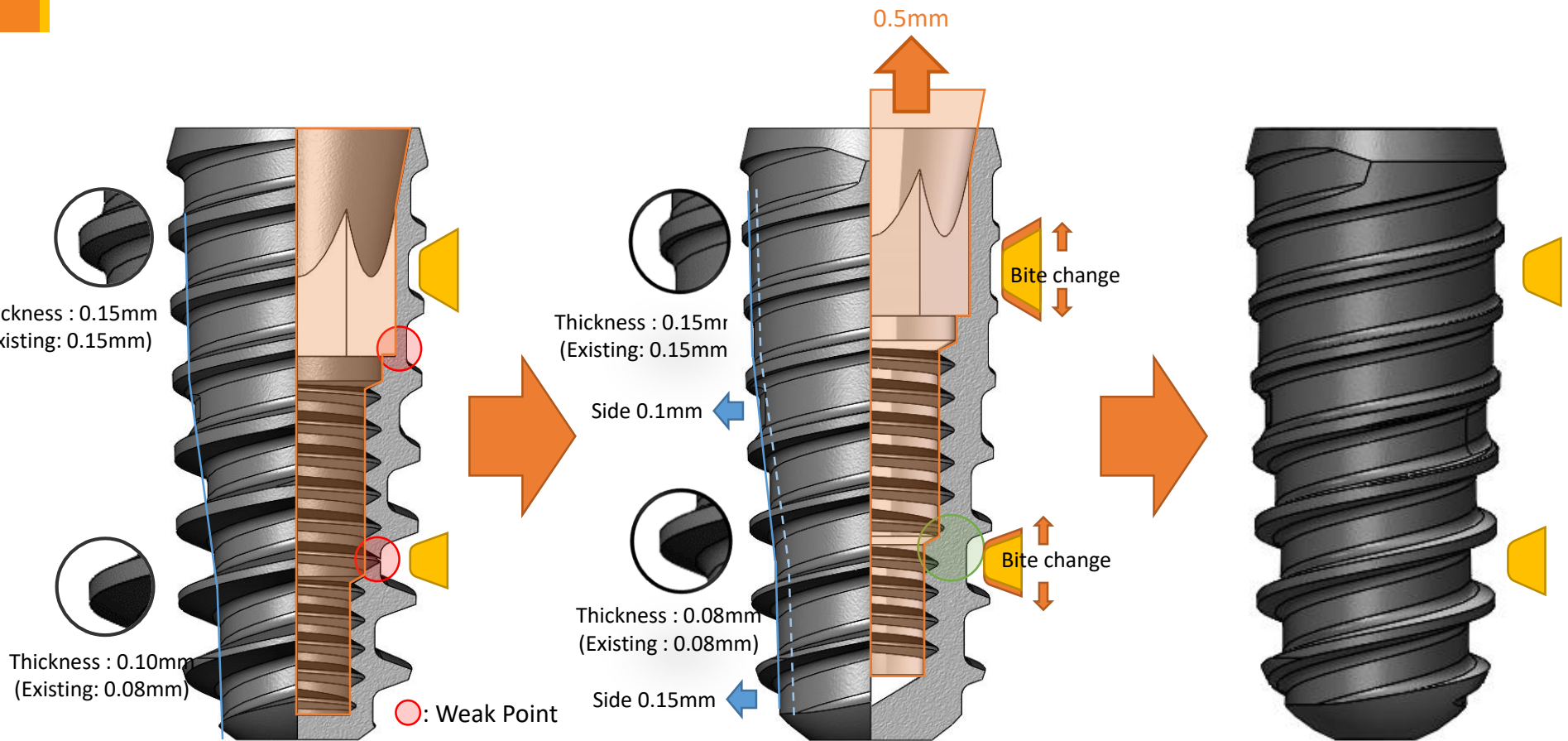
DSOFCS



Product	Nominal Diameter	Actual Diameter	CODE	Set
s-Clean SQ-SL Fixture	Ø3.0	Ø3.2	DSSFN3008S	P-DSSFN3008S + DSOFCS
			DSSFN3010S	P-DSSFN3010S + DSOFCS
			DSSFN3012S	P-DSSFN3012S + DSOFCS
			DSSFN3014S	P-DSSFN3014S + DSOFCS

# SQ-SL Narrow Ø3.0 for Anterior Implant Placement

## 2) Shape Concept



Existing shape concept  
With Mini Connection

### Thickness of the inner wall.

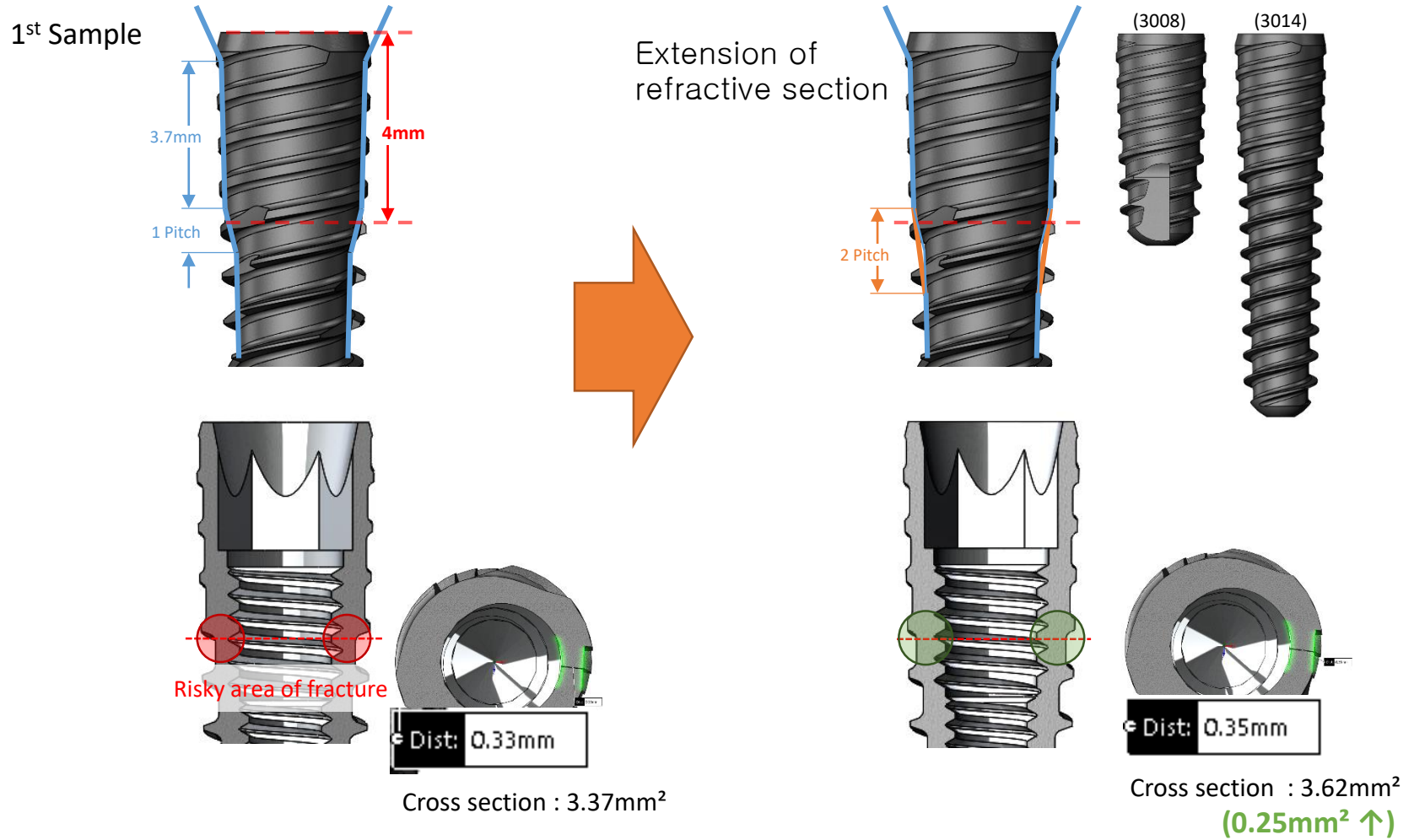
- Connection 0.5 mm, upper offset.
- Bite shape and path modification.
- Apply a new bit (keep the screw thickness).

### Reduce the processing time

- Use the outer Bite at the bottom to handle the entire appearance.

# SQ-SL Narrow Ø3.0 for Anterior Implant Placement

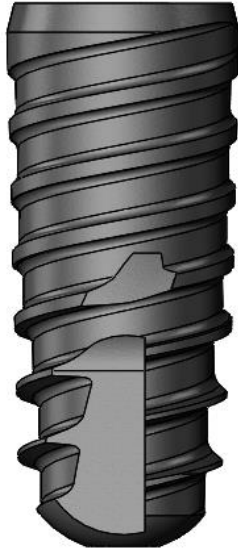
## 3) Reinforced Thickness



# SQ-SL Narrow Ø3.0 for Anterior Implant Placement

## 4) Final Fixture Shape

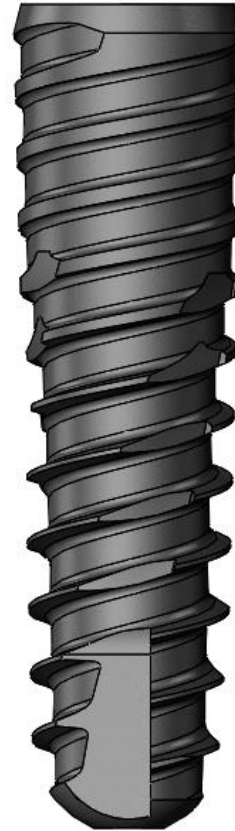
DSSFN3008



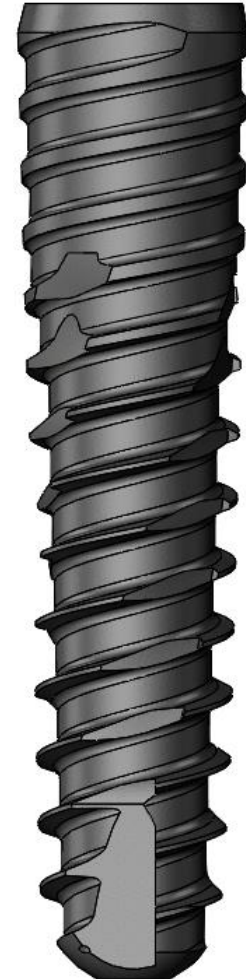
DSSFN3010



DSSFN3012

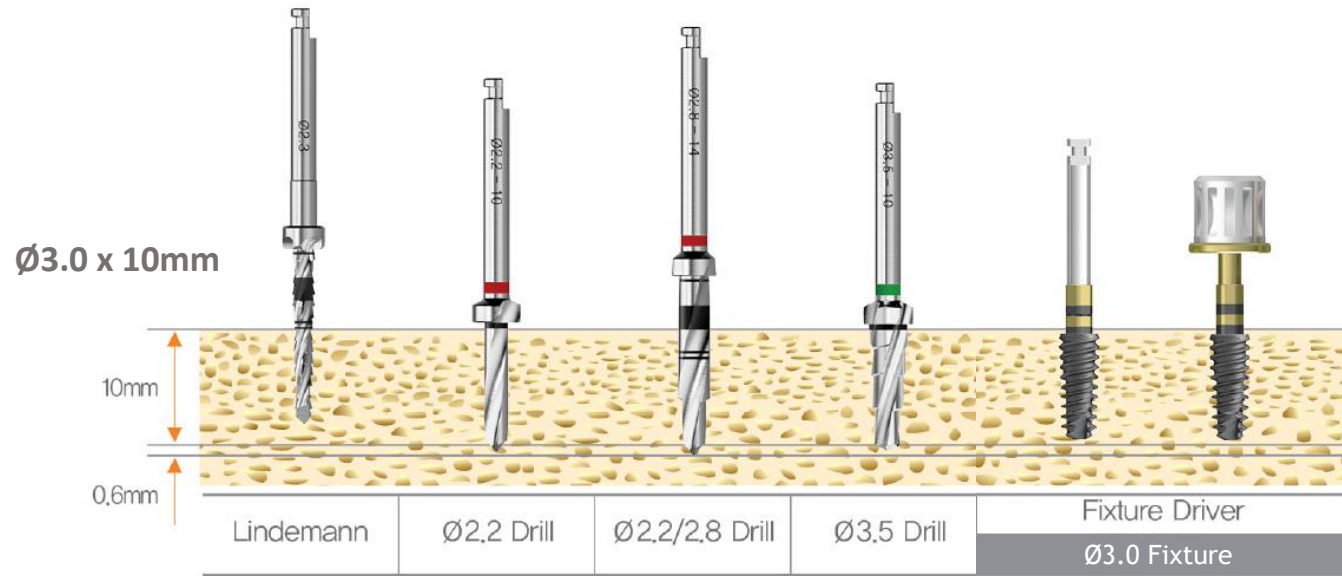
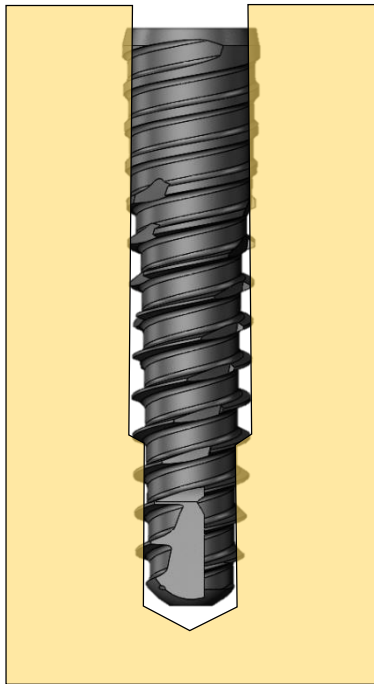


DSSFN3014



# SQ-SL Narrow Ø3.0 for Anterior Implant Placement

## 5) Drilling Sequence



※ Bone Interference value

# SQ-SL Narrow Ø3.0 for Anterior Implant Placement

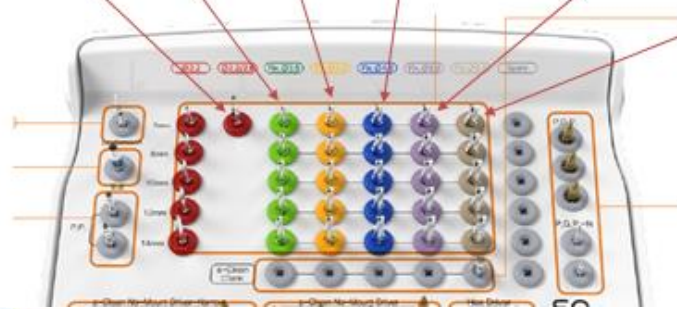
## 6) Fixture package

Fixture Label Color for each diameter = Middle cap color = Kit rubber color

→ same red color with Ø6.0



	3.0	3.5	4.0	4.5	5.0		5.5	6.0		7.0	8.0	
CODE	DSSFM				DSSFR			DSSFW				
Connecti on	M (2.1 Hex)				R (2.5 Hex)							
실직경	Ø3.2	Ø3.7	Ø4.1	Ø4.35	Ø4.8	Ø5.1		Ø5.2	Ø5.8	Ø5.8	Ø6.8	Ø7.8
Color	Red	Light Green	Yellow	Dark Blue	Purple		Gold (A)	Red		Violet	Dark brown	
Label												



If you choose a new color.

- Middle cap new color development
- Add New Middle cap color
- KIT rubber new color development
- Kit rubber change
- Add a new label.

→ Consuming Time and cost ※ Ex). New Label



# SQ-SL Narrow Ø3.0 for Anterior Implant Placement

## 7) Label detail

※ New Label(FL20)

**UDI CODE**  
 s-Clean SQ-SL  
**M Ø3.0x10mm**

**SQ** Submerged Qualified **M Ø3.0**

**2D Bar Code**

**품목명 (Classification)** 치과용임플란트고정체  
**Product** s-Clean SQ-SL Fixture  
**모델 (Model)** REF DSSFM3010S  
**규격 (Size)** M Ø3.0x10mm  
**제조번호 (Lot No.)** LOT "ERP 연동 코드"  
**제조일자 (Manufactured Date)** "YYYY.MM.DD."  
**유효기간 (Expiry Date)** 제조일로부터 8년까지 "YYYY.MM.DD."  
**포장단위 (Packing Unit)** 1SET

FL20(R02)  
 품목허가번호(MFDS Product License no.) 제허21-651호  
 일화용 멸균의료기기 / 재사용금지

Classified as connection  
**Narrow**      **Regular**

※ Existing Label(FL14)

**UDI CODE**  
 s-Clean SQ-SL  
**Ø6.0x10mm**

**SQ** Submerged Qualified **Ø6.0**

**2D Bar Code**

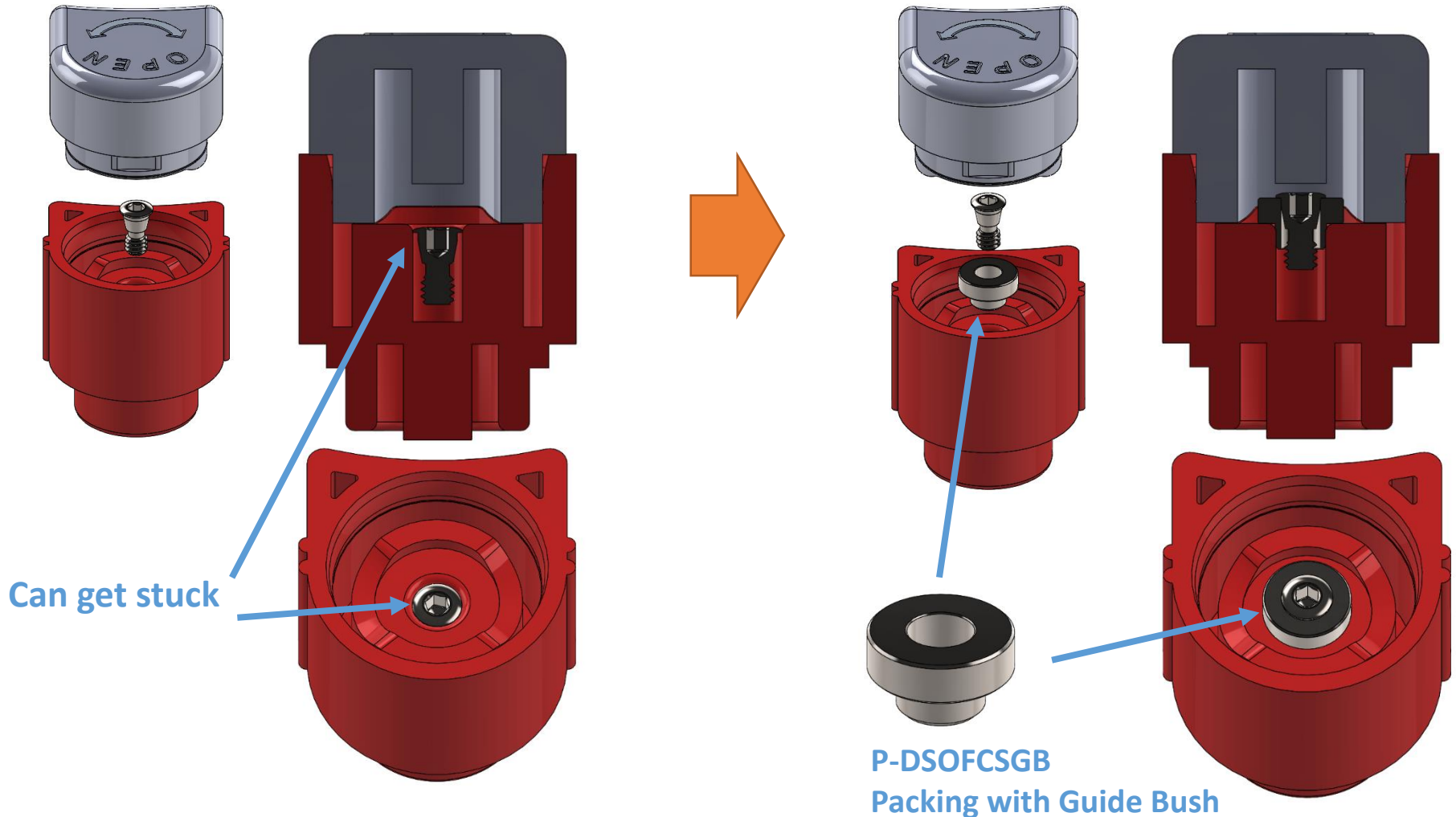
**품목명 (Classification)** 치과용임플란트고정체  
**Product** s-Clean SQ-SL Fixture  
**모델 (Model)** REF DSSFW6010S  
**규격 (Size)** Ø6.0x10mm  
**제조번호 (Lot No.)** LOT "ERP 연동 코드"  
**제조일자 (Manufactured Date)** "YYYY.MM.DD."  
**유효기간 (Expiry Date)** 제조일로부터 8년까지 "YYYY.MM.DD."  
**포장단위 (Packing Unit)** 1SET

FL14(R02)  
 품목허가번호(MFDS Product License no.) 제허12-1689호  
 일화용 멸균의료기기 / 재사용금지

→ Can distinguish from existing label

# SQ-SL Narrow Ø3.0 for Anterior Implant Placement

## 8) Cover Screw Package



**THANK YOU**

*Thank You!*